

QTEC Motor Replacement Guide

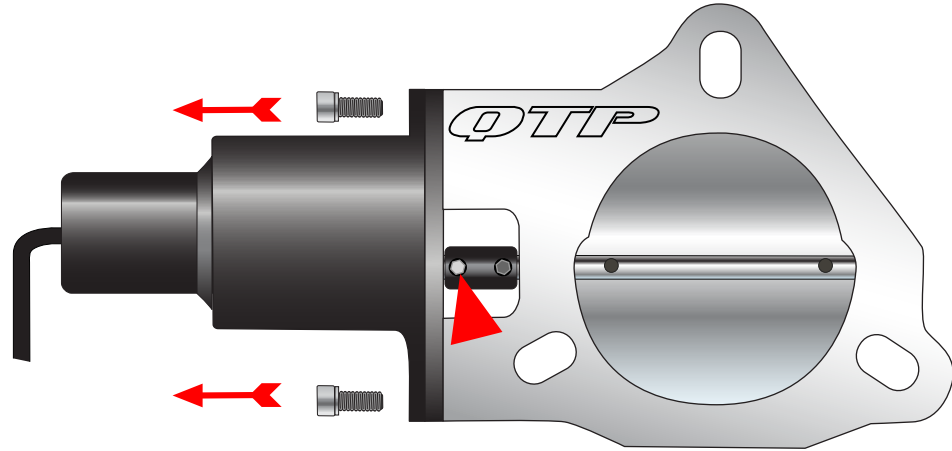


TOOLS NEEDED

- 5/32 Allen Wrench
- 7/64 Allen Wrench
- 2.5mm Allen Wrench
- Penetrating Oil
- Loc-Tite (red)

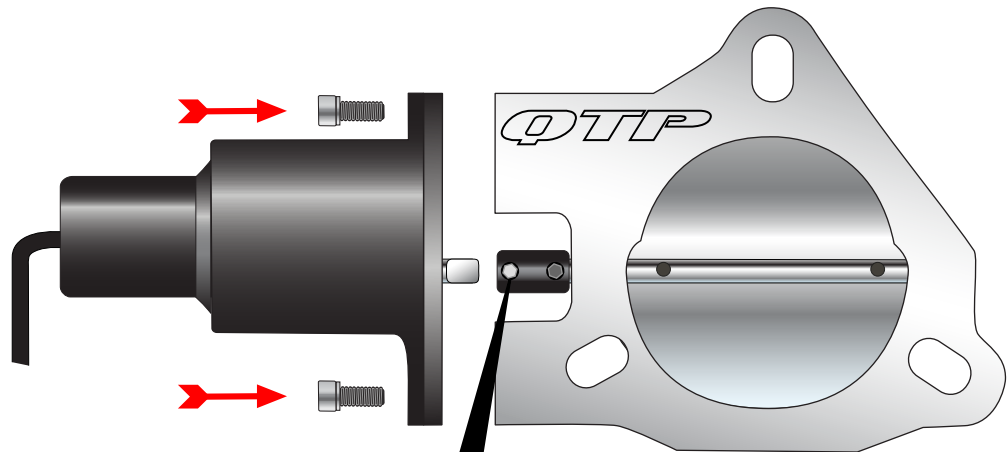
Remove the valve from the vehicle. The install is much easier done in the open or on a work bench. Unplug the twist-lock power connector and remove the 3 bolts holding the valve to your exhaust flange.

Next, remove the 2 Cap Screws holding the motor to the Valve body and remove the coupler set screw from the MOTOR side. It may be necessary to use heat or a good penetrating oil to remove

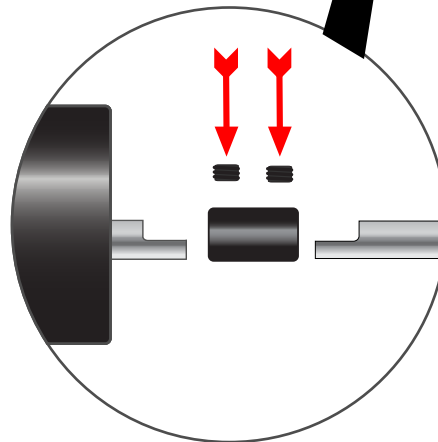


With the motor assembly removed from the valve body. Take this opportunity to clean the butterfly plate/cutout body well using a good solvent and a parts brush/toothbrush. Clean the ridge inside the housing well removing the carbon build-up, if any. CAUTION: The butterfly screws are tack welded. Attempting to loosen these screws will break them.

Wipe the body free of debris. install the new coupler and then install the motor to the cutout body. We recommend applying a small amount of red loc-tite to the threads of the bolts during re-assembly to help protect against vibration.



Now making sure the FLAT side of the motor shaft is facing the set screw hole in the coupler. It may be necessary to apply power to the motor and rotate the motor shaft to achieve this position. See inset illustration for proper positioning for the shafts/coupler. Once achieved, slide the motor plate onto the valve body and again, using a small amount of Red Loc-Tite to the threads, tighten your screws down.



Finally, with your thumb pressing against the bottom of the butterfly (to insure its in the closed position) tighten the set screw inside the coupler and secure that with loc-tite as well.

TECHNICAL SUPPORT

973-513-9955

Monday through Friday

9AM-4PM EST

email

tech@quicktimeperformance.com