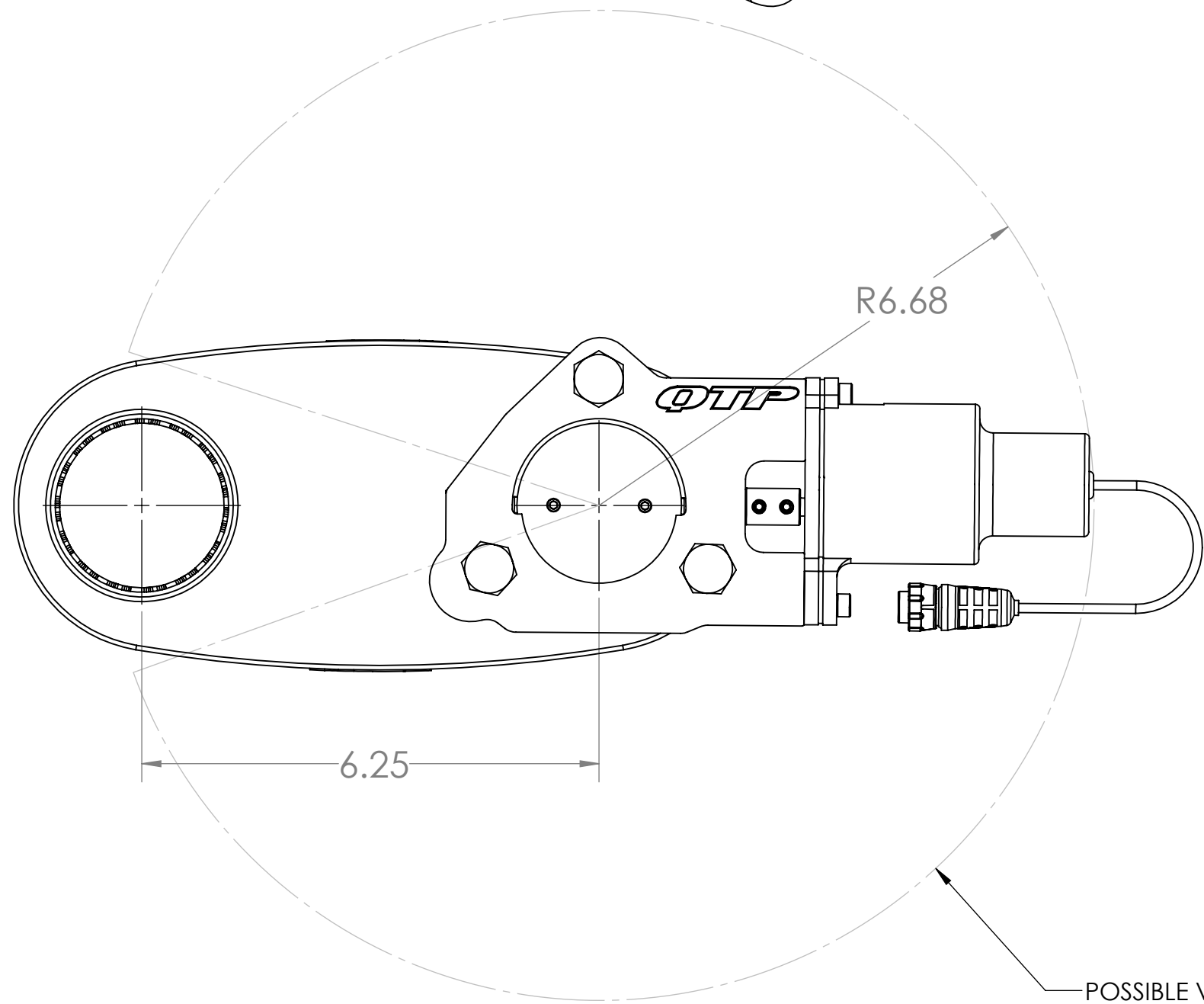
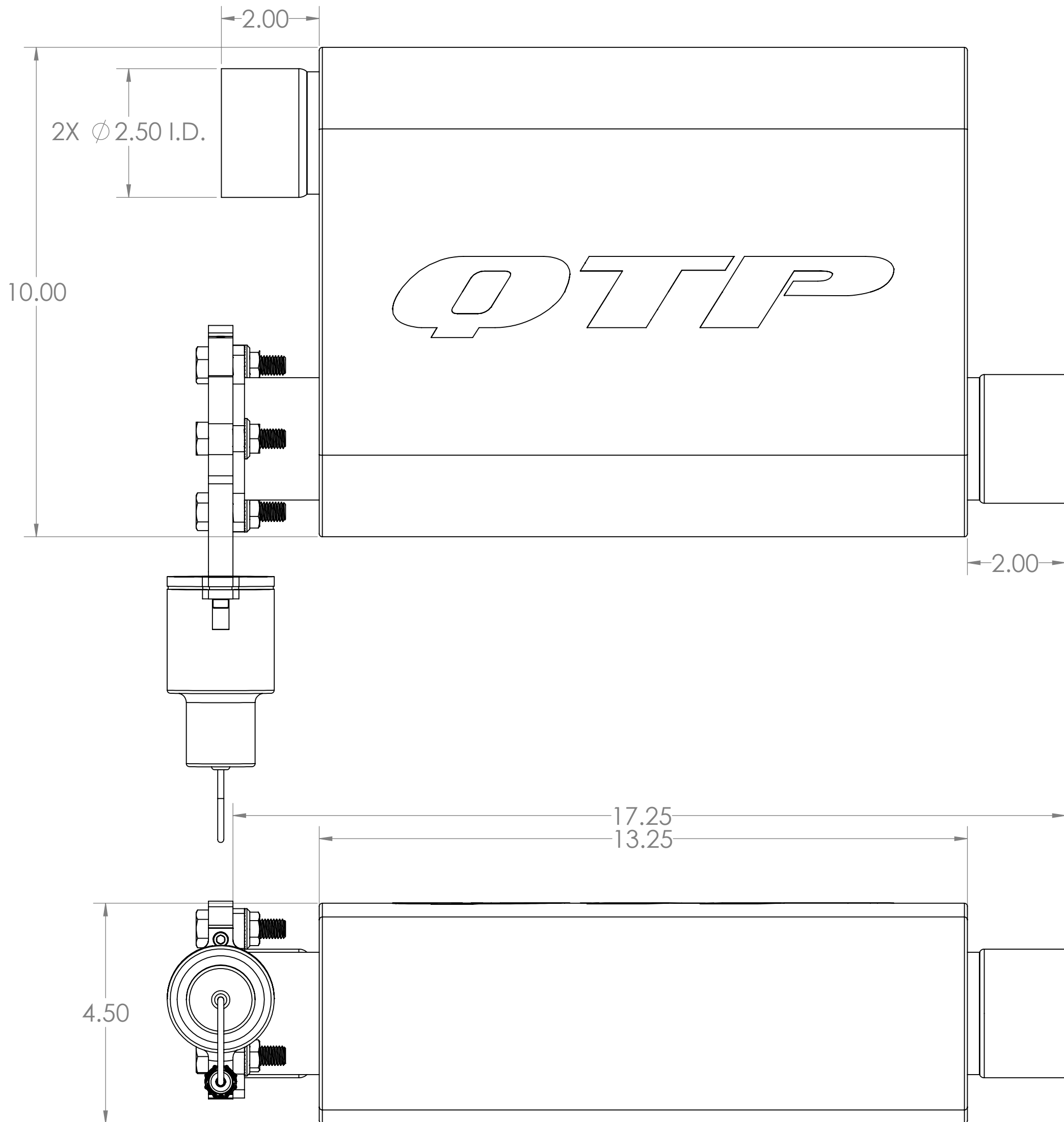
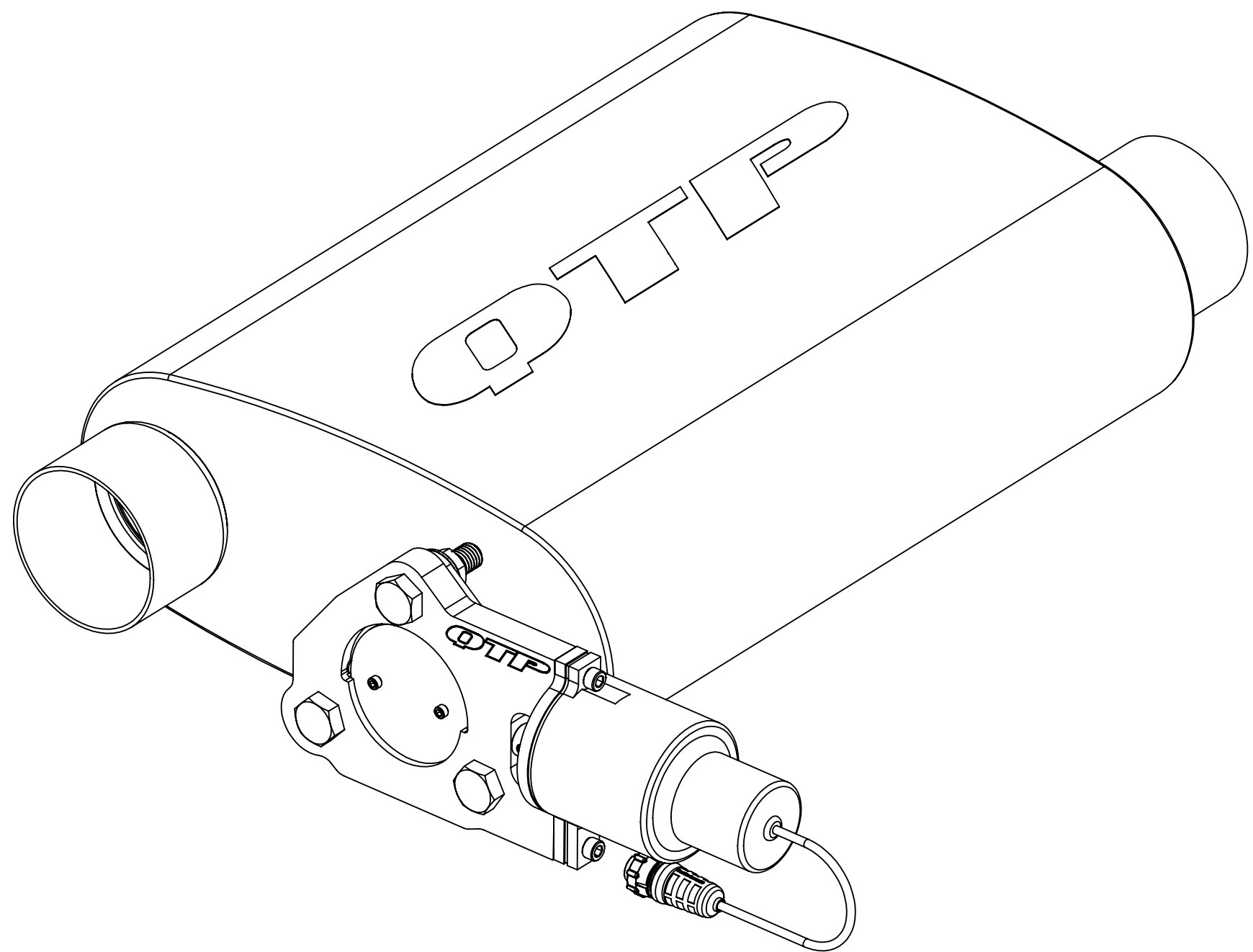


DO NOT SCALE DRAWING
FOR REFERENCE ONLY



POSSIBLE VALVE POSITIONS



UNLESS OTHERWISE SPECIFIED:		INTERPRET DIMENSIONS & TOLERANCES PER ASME Y14.5M-1994	
INTERPRET WELDING SYMBOLS PER AWS A2.4:2007		INTERPRET SURFACE TEXTURE SYMBOLS PER ASME Y14.36-1996	
3RD ANGLE	UNITS: INCHES	TWO PLACES ± .02	FILLETS R.002/R.020
		THREE PLACES ± .01	BREAK EDGES .002/.020 RADIUS OR CHAMFER
		ANGULAR ± 1	GENERAL FINISH 63 Rq MAX
			REMOVE ALL BURRS
MATERIAL	THIS DRAWING AND THE CONTENTS HERIN ARE CONFIDENTIAL AND THE SOLE PROPERTY OF QUICK TIME PERFORMANCE. REPRODUCTION OF THIS DRAWING OR CONSTRUCTION OF ANY PARTS WITHIN THIS DRAWING ARE FORBIDDEN WITHOUT PRIOR WRITTEN CONSENT		
FINISH	DRAWN BY MP	DATE	CHECKED BY DATE
COMMENTS	TITLE: 2.5" SCREAMER MUFFLER REVERSE		
WEIGHT:	SIZE	DWG. NO.	REV
SHEET 1 OF 1	SCALE: 1:2	C 13251_PDS	