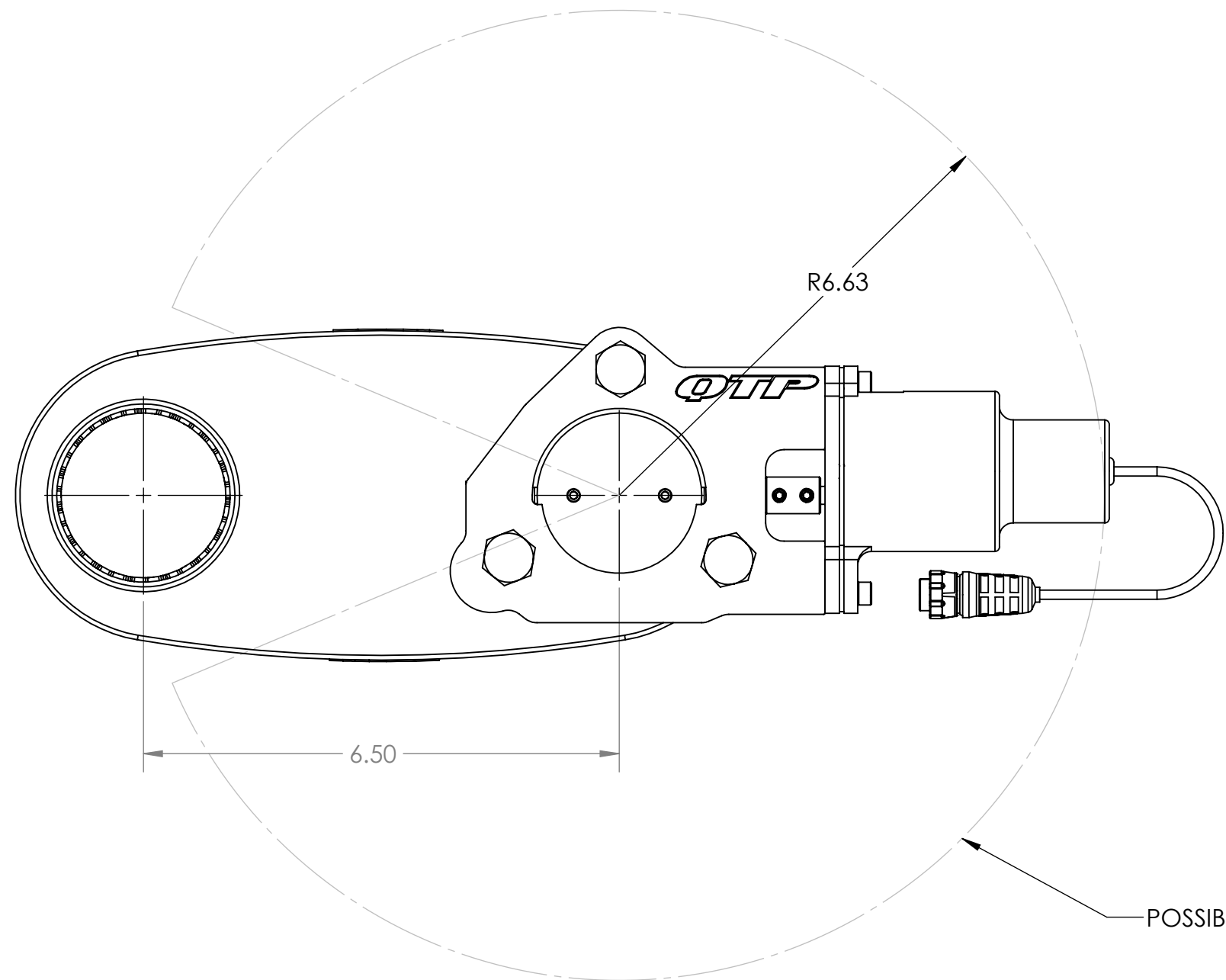
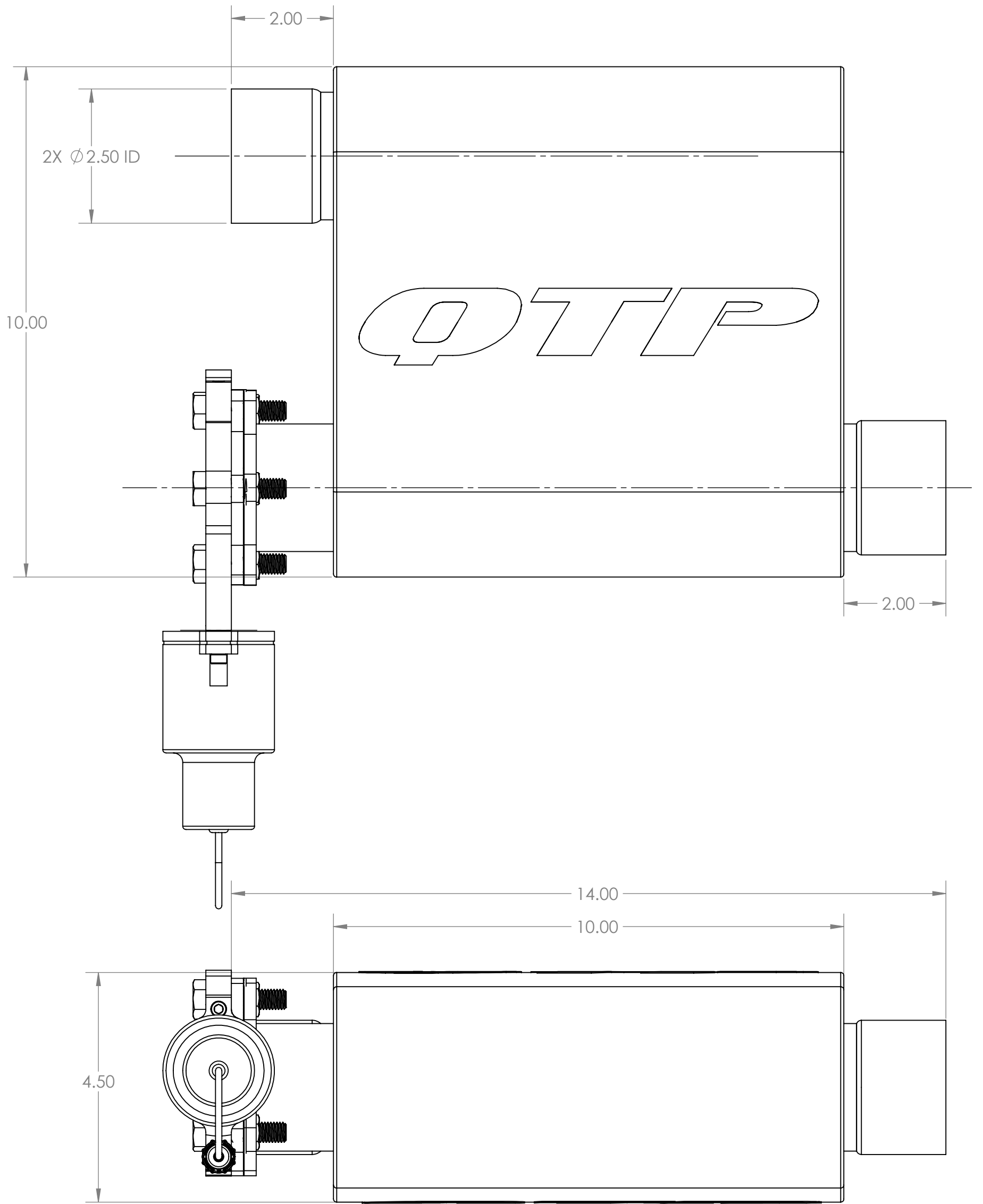
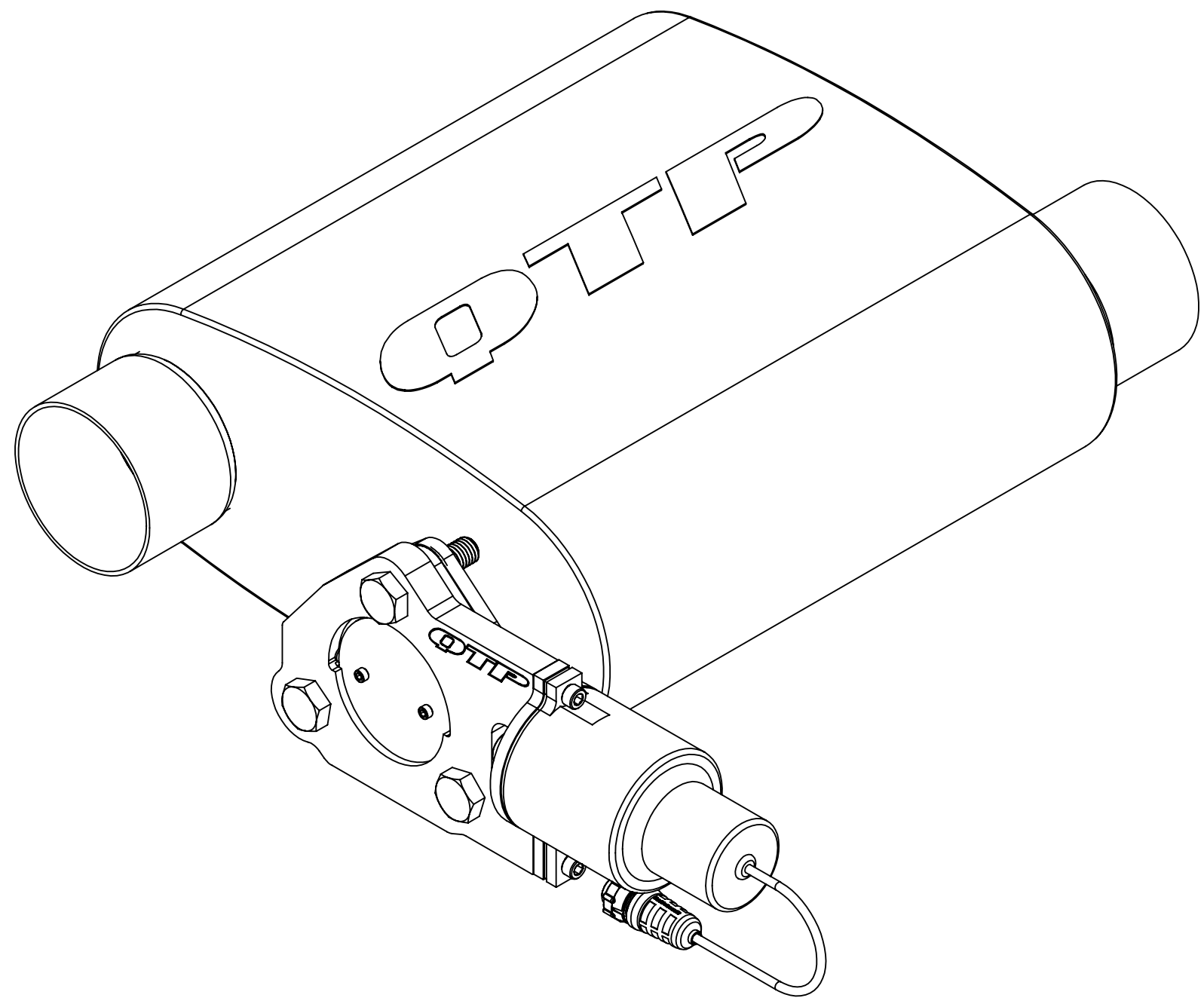


DO NOT SCALE DRAWING



POSSIBLE VALVE POSITIONS

QTP
QUICK TIME PERFORMANCE

UNLESS OTHERWISE SPECIFIED:		INTERPRET DIMENSIONS & TOLERANCES PER ASME Y14.5M-1994	
INTERPRET WELDING SYMBOLS PER AWS A2.4:2007		INTERPRET SURFACE TEXTURE SYMBOLS PER ASME Y14.36-1996	
3RD ANGLE	UNITS: INCHES	TWO PLACES ± .02	FILLETS R.002/R.020
		THREE PLACES ± .01	BREAK EDGES .002/.020 RADIUS OR CHAMFER
		ANGULAR ± 1	GENERAL FINISH 63 Rq MAX
			REMOVE ALL BURRS
THIS DRAWING AND THE CONTENTS HEREIN ARE CONFIDENTIAL AND THE SOLE PROPERTY OF QUICK TIME PERFORMANCE. REPRODUCTION OF THIS DRAWING OR CONSTRUCTION OF ANY PARTS WITHIN THIS DRAWING ARE FORBIDDEN WITHOUT PRIOR WRITTEN CONSENT.			
MATERIAL	DRAWN BY	DATE	CHECKED BY
FINISH	MP	4/21/2020	
COMMENTS	TITLE: 2.5" SCREAMER MUFFLER SHORT CASE		
WEIGHT:	SIZE	DWG. NO.	REV
SHEET 1 OF 1	SCALE: 1:2	C	13252_PDS