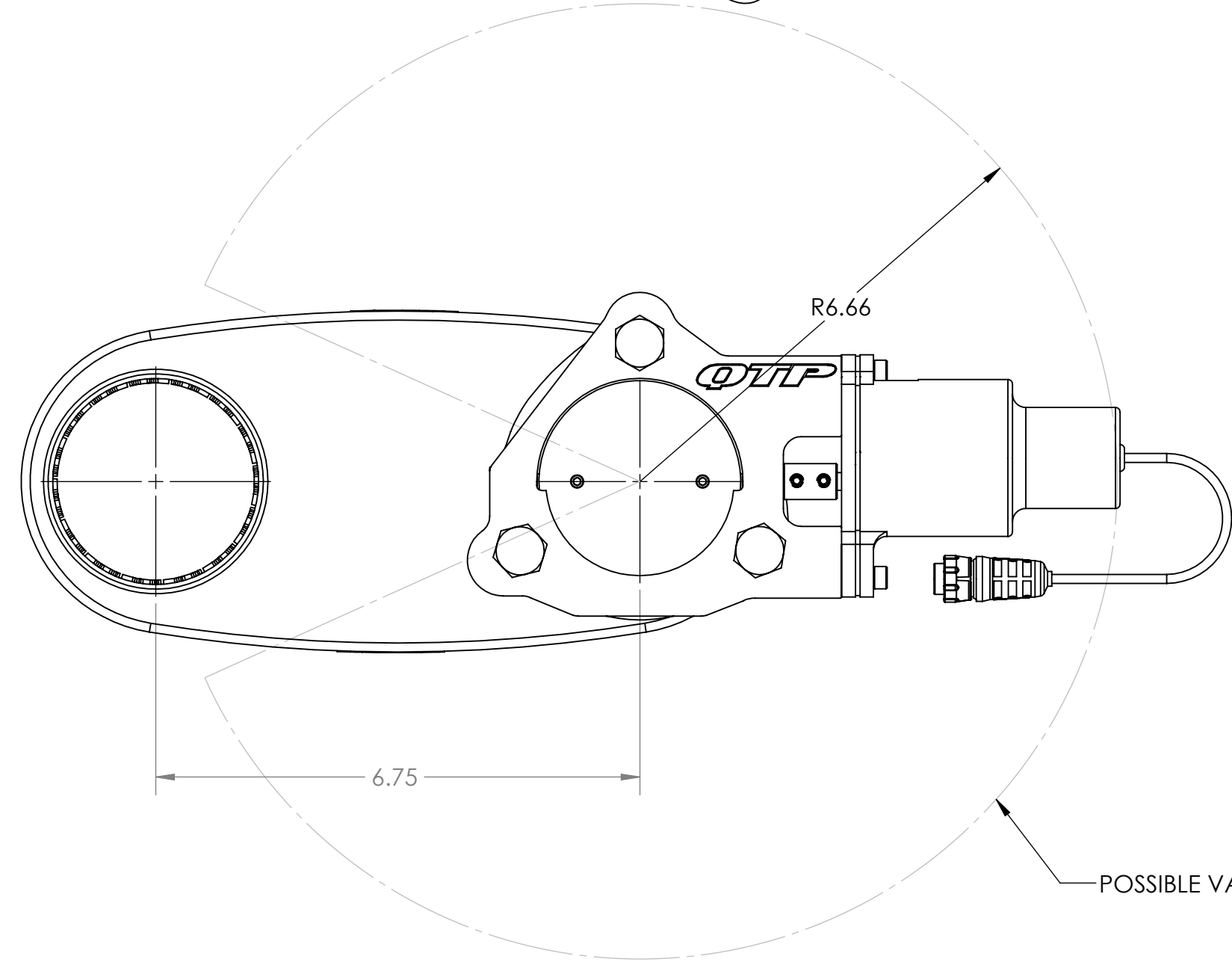
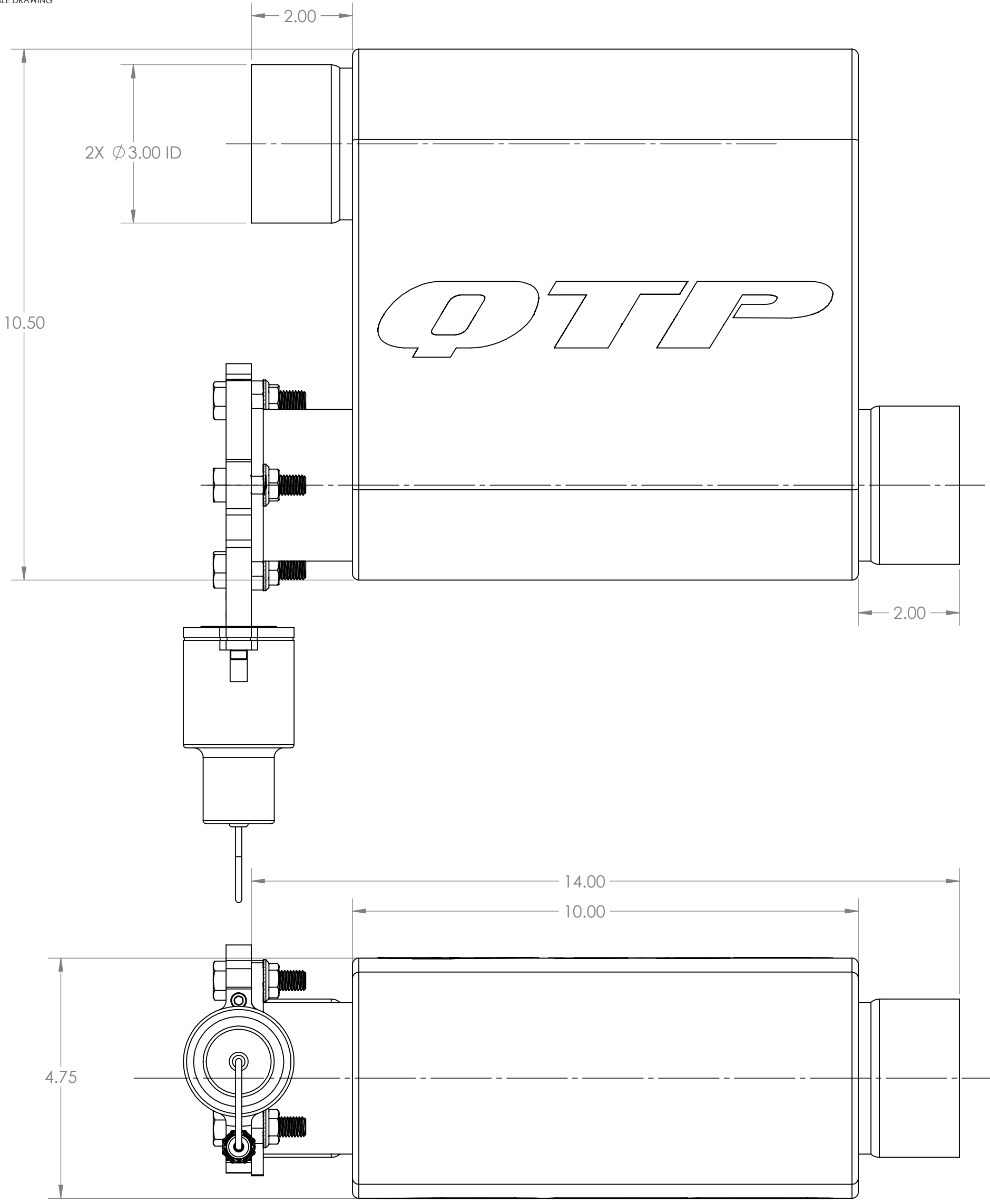
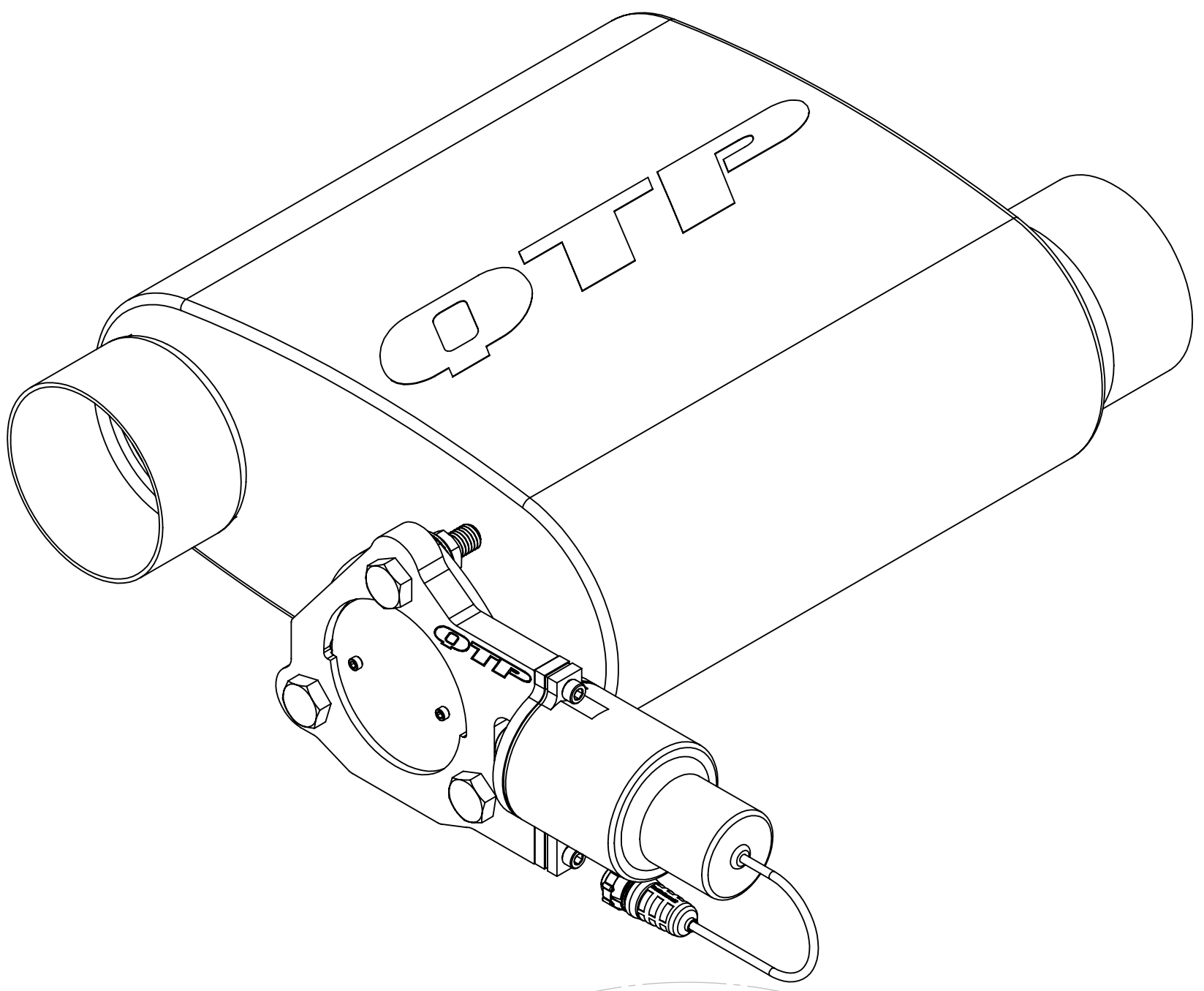


DO NOT SCALE DRAWING



POSSIBLE VALVE POSITIONS



UNLESS OTHERWISE SPECIFIED:		INTERPRET WELDING SYMBOLS PER AWS A2.4:2007		INTERPRET DIMENSIONS & TOLERANCES PER ASME Y14.5M-1994	
INTERPRET SURFACE TEXTURE SYMBOLS PER ASME Y14.36-1996		3RD ANGLE		FILLETS R.002/R.020	
UNITS: INCHES		TWO PLACES ± .02		BREAK EDGES .002/.020 RADIUS OR CHAMFER	
		THREE PLACES ± .01		GENERAL FINISH 63 Rq MAX	
		ANGULAR ± 1		REMOVE ALL BURRS	
THIS DRAWING AND THE CONTENTS HEREIN ARE CONFIDENTIAL AND THE SOLE PROPERTY OF QUICK TIME PERFORMANCE. REPRODUCTION OF THIS DRAWING OR CONSTRUCTION OF ANY PARTS WITHIN THIS DRAWING ARE FORBIDDEN WITHOUT PRIOR WRITTEN CONSENT.					
MATERIAL		DRAWN BY		DATE	
FINISH		MP		8/16/18	
COMMENTS		CHECKED BY		DATE	
WEIGHT:		TITLE: 3.0" SCREAMER MUFFLER SHORT CASE		REV	
SHEET 1 OF 1		SCALE: 1:2		SIZE DWG. NO. 13302_PDS	