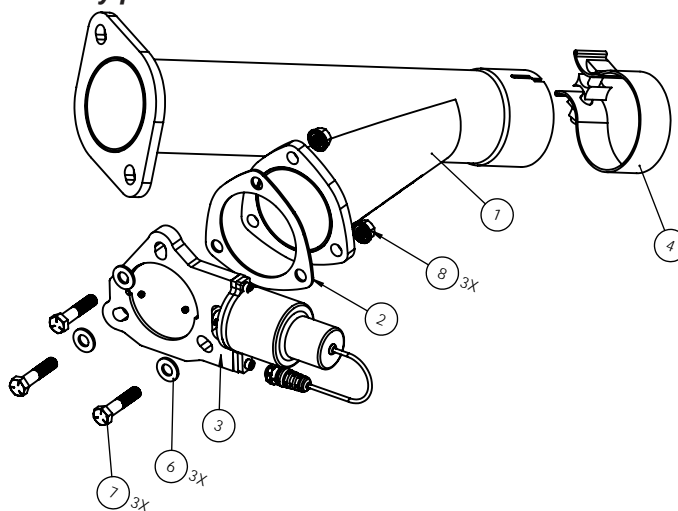


PART# 520019  
 2019+ RAM 1500 5.7L  
 Aggressor Cutout Pipe



**Caution! Never work on a hot exhaust system. Burns or other serious injuries can result. Always allow the exhaust system to cool before removal. Always consult the vehicle manual for proper lifting and support guidelines. Always wear approved safety glasses when working. Serious injury or death can result if safety precautions are not followed.**

ITEM NO.	DESCRIPTION	QTY.
1	AGGRESSOR ASSEMBLY	1
2	3.00 GASKET	1
3	3.00 IN ELECTRIC CUTOUT	1
4	3.00 TORCA ACCUSEAL CLAMP	1
5	3.0 CAP (NOT SHOWN)	1
6	3/8 SAE FLAT WASHER	3
7	3/8-16 x 1.75" HEX BOLT	3
8	3/8-16 SERRATED FLANGE NUT	3



### Removal of factory equipment:

- Step 1:** Raise and safely support the vehicle.
- Step 2:** Locate the Flat 2-bolt flange under the right side of the vehicle. Measure 14 7/8" from the flat flange and mark the exhaust.   
\*\*See image A.
- Step 3:** Safely cut the exhaust pipe where it was marked. Unbolt the flat 2-bolt flange and save the two 17mm head bolts.   
De-burr the cut edge with a file.

### Installation of New Exhaust:

- Step 1:** Bolt the Flange and QTEC Valve to the Aggressor cutout pipe as shown. **\*\*See Image C**
- Step 2:** Slide a 3.00" Accuseal band clamp onto the cut factory exhaust. Slide the Aggressor Cutout pipe and valve onto the exhaust and bolt the flange together and tighten the Accuseal band clamp. **\*\*See Image B**



**Image A:** Cut Location, 14 7/8" from flange



**Image B:** Aggressor Pipe Installed



**Image C:** QTEC Valved installed on Aggressor Pipe

## Wiring the Cutouts:

### Installing the Toggle Switch

- Make sure that the vehicle battery has been disconnected.
- The switch should be located in a place that is easy to access such as a center console, kick panel, etc.
- Connect the RED wire to a 12 volt source.
- Connect the BLACK wire to a good ground.
- Drill a 1/2" hole where you wish to mount the switch.
- Remove the first lock ring from the shaft of the switch.
- Install switch in the hole you just drilled.
- Slide the lock ring over the switch and tighten ring so that there is no play in the switch.

### Routing the Wire Harness

- Make sure that you have the wire oriented so that the connectors mate. They are different, so make sure you pull the proper end into the vehicle.
- Route the wire up through the underside of the car. \*Be careful to ensure that the exhaust pipes or drive shaft do not interfere with the cable.
- Route the cables into the car. You can often open up a factory drain plug in the floor pan and snake the wire through.
- For manual transmission cars, you can also come up through the transmission shifter area. Remove the boot/seal of the transmission shifter.
- Plug the cable into the toggle switch, on the connector near the motor, align and press them together and then turn the coupling ring until it locks.

### Maintenance

- We recommend lubricating the butterfly plate, body and shaft using a quality lubricant such as "Liquid Wrench™" from Gunk. This will help prevent carbon build up naturally generated by the exhaust system and keep the butterfly sealing properly. This should be done on a monthly basis.
- For harsher climates, you should remove the cutouts and store them. Using the supplied block off plates will insure operation while cutouts are removed.
- Check screws every now and then to make sure they are tight. If not reapply a red thread locker and reinstall.



**Note:** After initial startup a small trace of smoke may be visible from the exhaust, do not be concerned. This is from residual oils left in the tube from the manufacturing process and will disipate quickly.

Quick Time Performance recomends professional installation on all of our products.