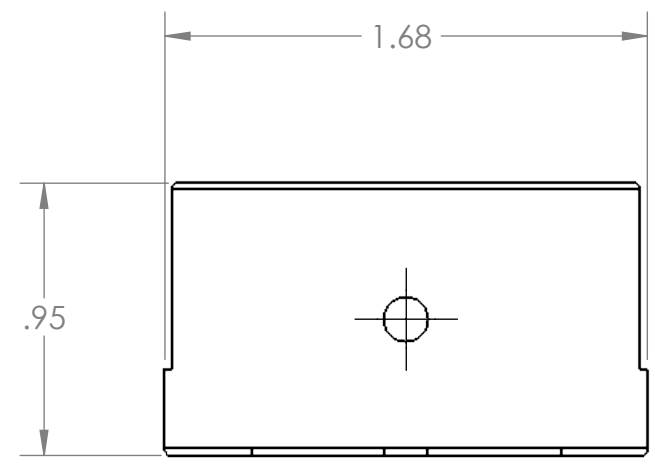
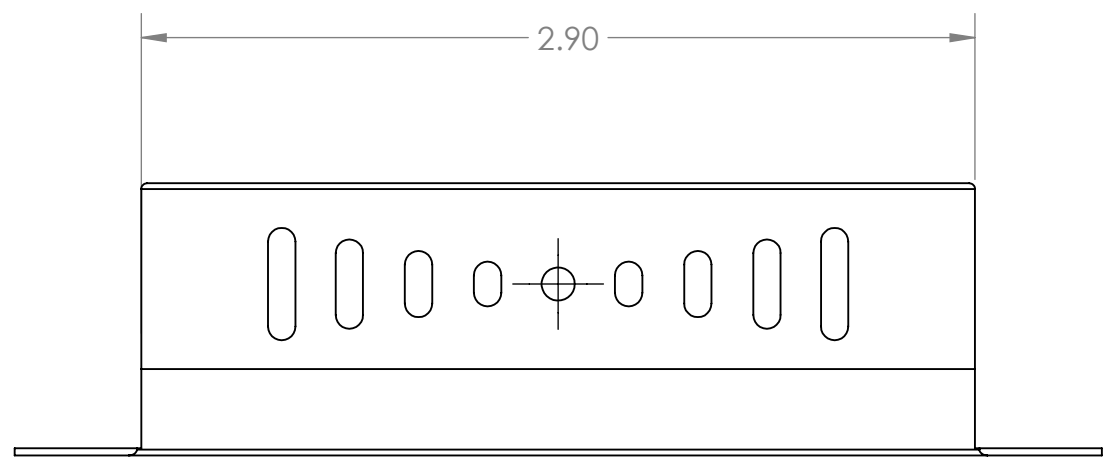
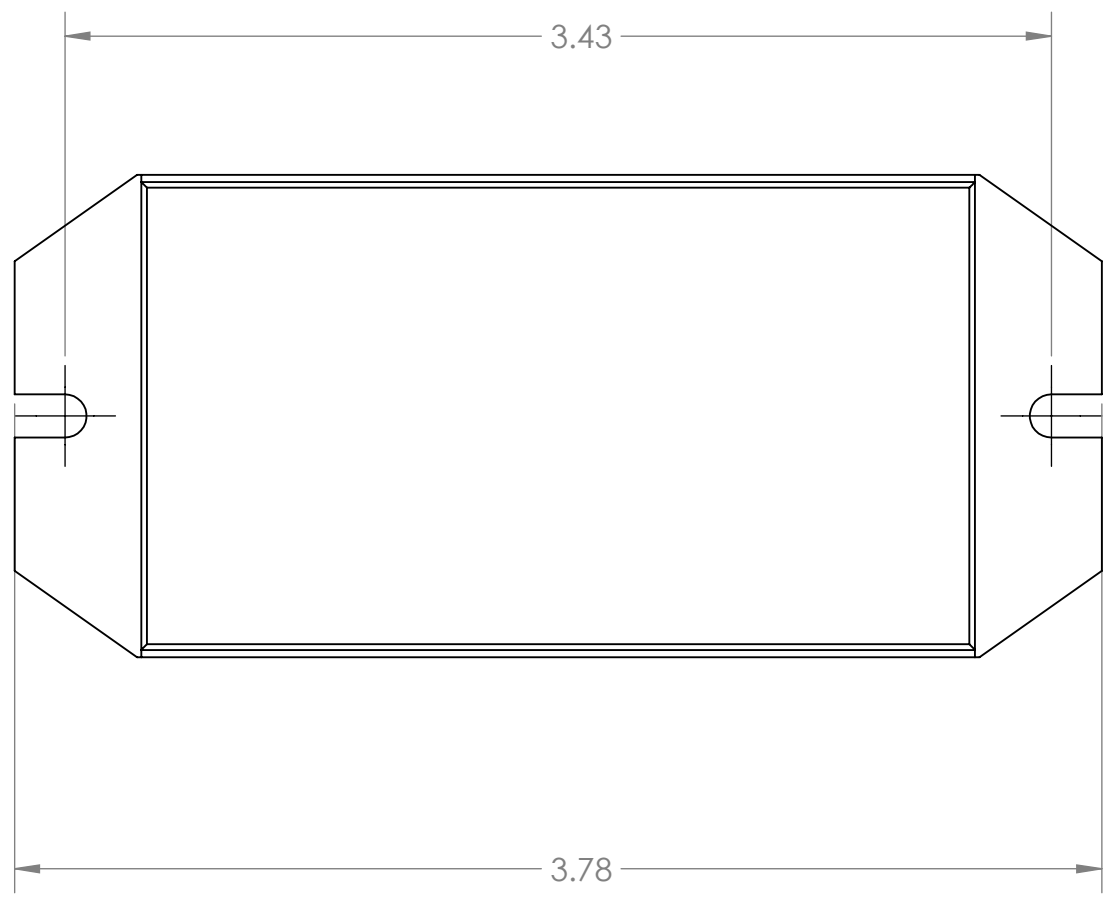




8 7 6 5 4 3 2 1

DO NOT SCALE DRAWING

D
C
B
A



8 7 6 5 4 3 2 1

		77 4TH AVE HAWTHORNE NJ 07506 973-513-9955	
3RD ANGLE 	UNITS: INCHES	ONE PLACE ± 1/32 TWO PLACES ± .01 THREE PLACES ± .005 ANGULAR ± .5	INTERPRET DIMENSIONS & TOLERANCES PER ASME Y14.5M-1994 FILLETS R.002/R.020 BREAK EDGES .002/.020 RADIUS OR CHAMFER GENERAL FINISH 125 Rq MAX REMOVE ALL BURRS
MATERIAL		THIS DRAWING AND THE CONTENTS HERIN ARE CONFIDENTIAL AND THE SOLE PROPERTY OF QUICK TIME PERFORMACNE REPRODUCTION OF THIS DRAWING OR CONSTRUCTION OF ANY PARTS WITHIN THIS DRAWING ARE FORBIDDEN WITHOUT PRIOR WRITTEN CONSENT	
FINISH		DRAWN BY MP	DATE 12/13/2019
COMMENTS		CHECKED BY	
WEIGHT:		DATE	
SHEET 1 OF 1		SCALE: 1.5:1	
TITLE: WIRELESS RECEIVER		SIZE B	DWG. NO. 10900_PDS
		REV	

D
C
B
A