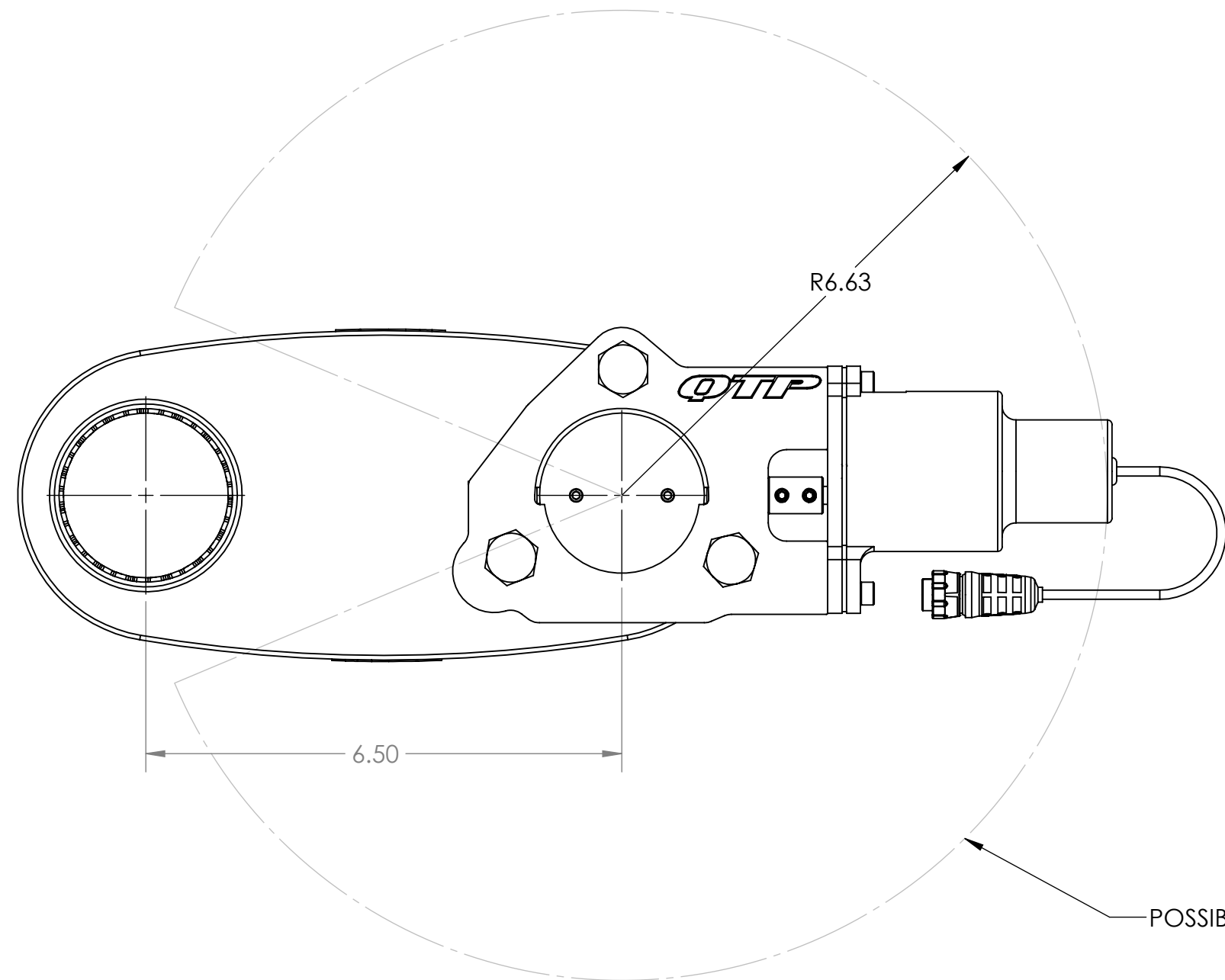
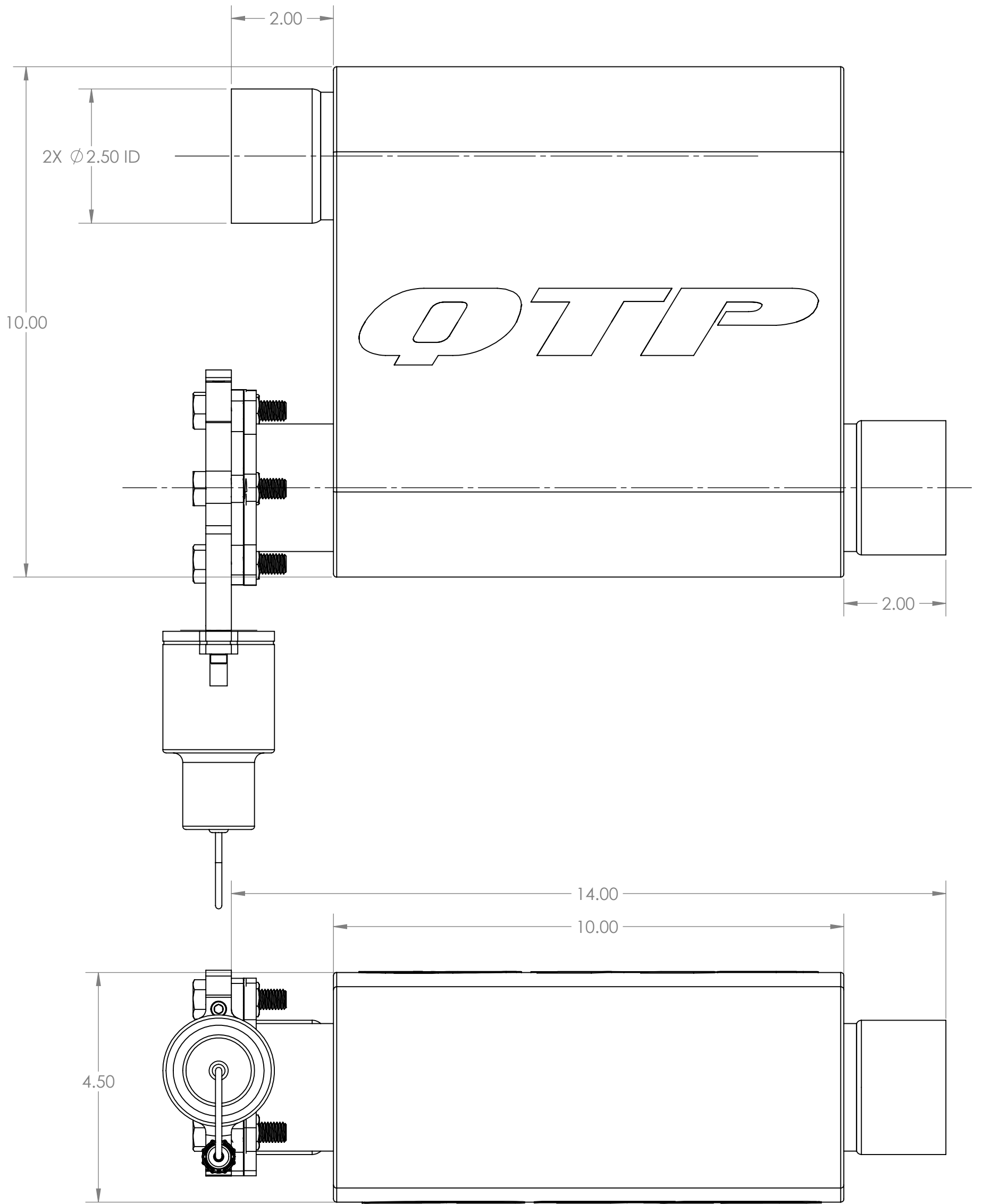
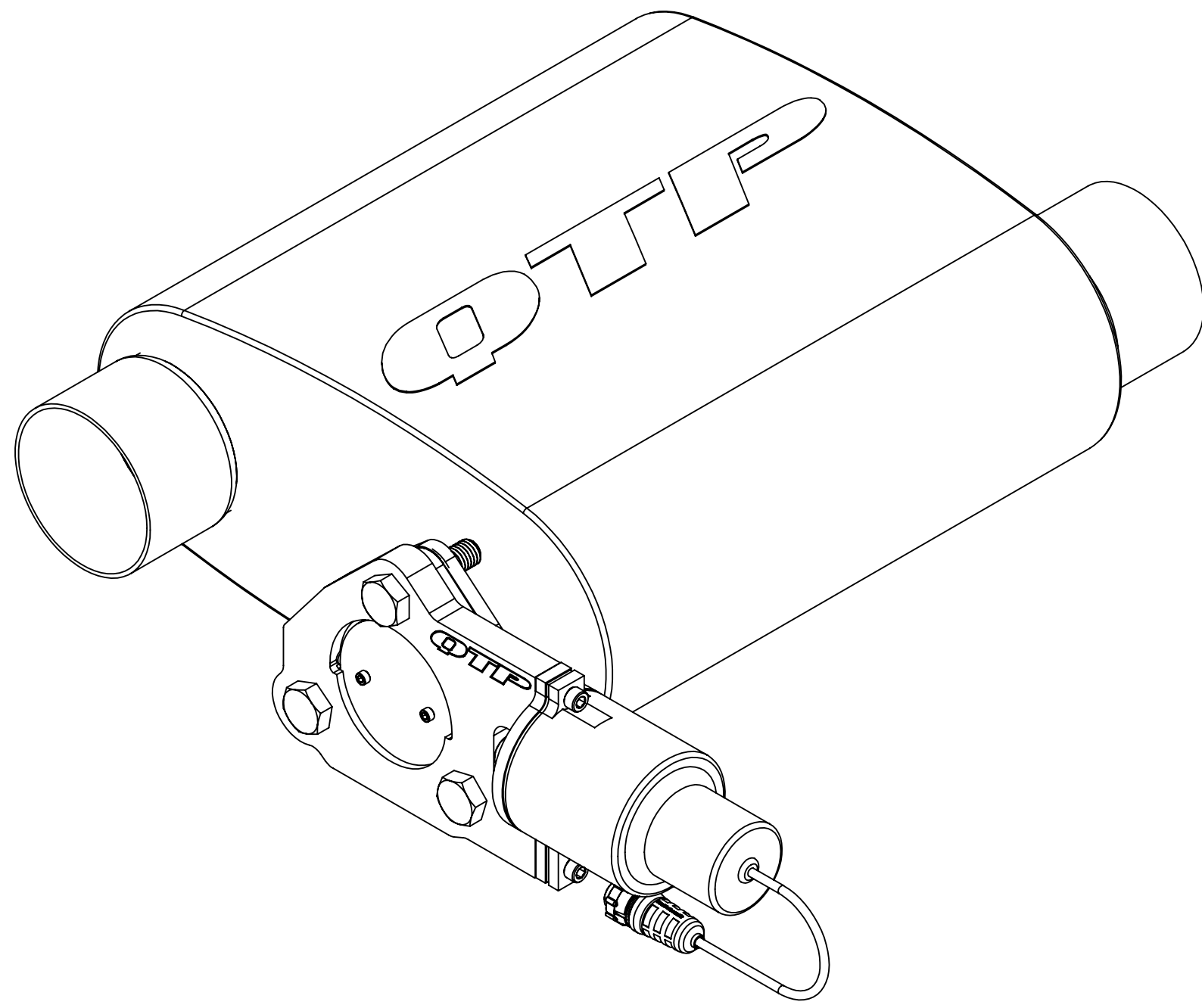


DO NOT SCALE DRAWING



POSSIBLE VALVE POSITIONS

QTP
QUICK TIME PERFORMANCE

| | | | |
|--|---|--|---|
| UNLESS OTHERWISE SPECIFIED: | | | |
| INTERPRET WELDING SYMBOLS PER AWS A2.4:2007 | | INTERPRET DIMENSIONS & TOLERANCES PER ASME Y14.5M-1994 | |
| INTERPRET SURFACE TEXTURE SYMBOLS PER ASME Y14.36-1996 | | FILLETS R.002/R.020 | |
| 3RD ANGLE | UNITS: INCHES | TWO PLACES ± .02 | BREAK EDGES .002/.020 RADIUS OR CHAMFER |
| | | THREE PLACES ± .01 | GENERAL FINISH 63 Rq MAX |
| | | ANGULAR ± 1 | REMOVE ALL BURRS |
| THIS DRAWING AND THE CONTENTS HERIN ARE CONFIDENTIAL AND THE SOLE PROPERTY OF QUICK TIME PERFORMANCE. REPRODUCTION OF THIS DRAWING OR CONSTRUCTION OF ANY PARTS WITHIN THIS DRAWING ARE FORBIDDEN WITHOUT PRIOR WRITTEN CONSENT. | | | |
| MATERIAL | DRAWN BY | DATE | CHECKED BY |
| FINISH | MP | 4/21/2020 | |
| COMMENTS | TITLE: 2.5" SCREAMER MUFFLER SHORT CASE REVERSE | | |
| WEIGHT: | SIZE | DWG. NO. | REV |
| SHEET 1 OF 1 | SCALE: 1:2 | C | 13253_PDS |