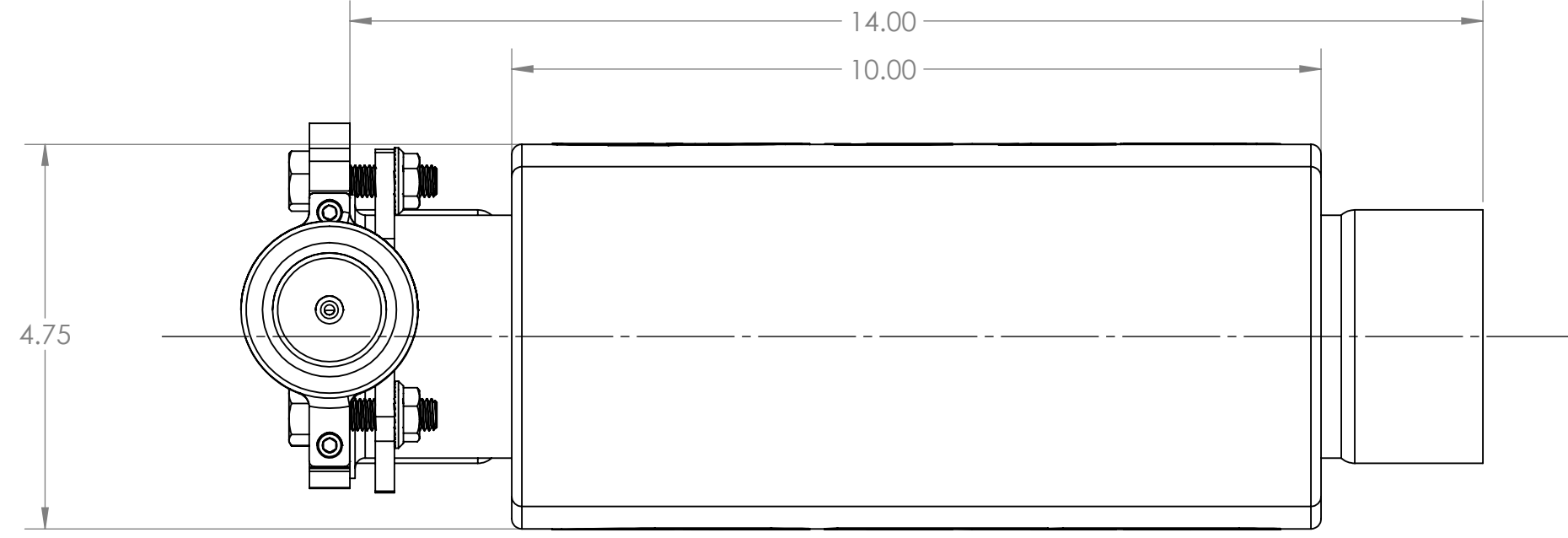
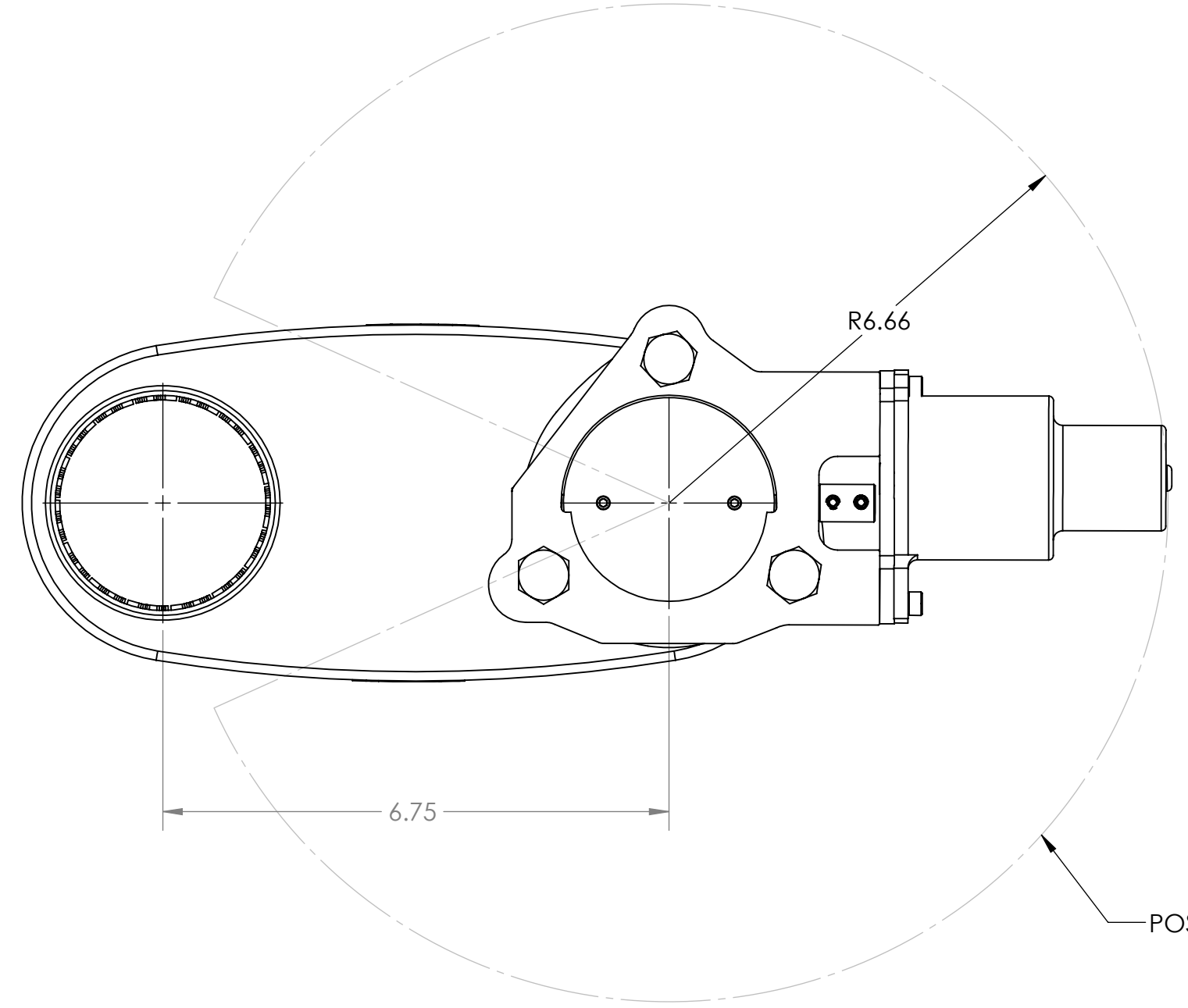
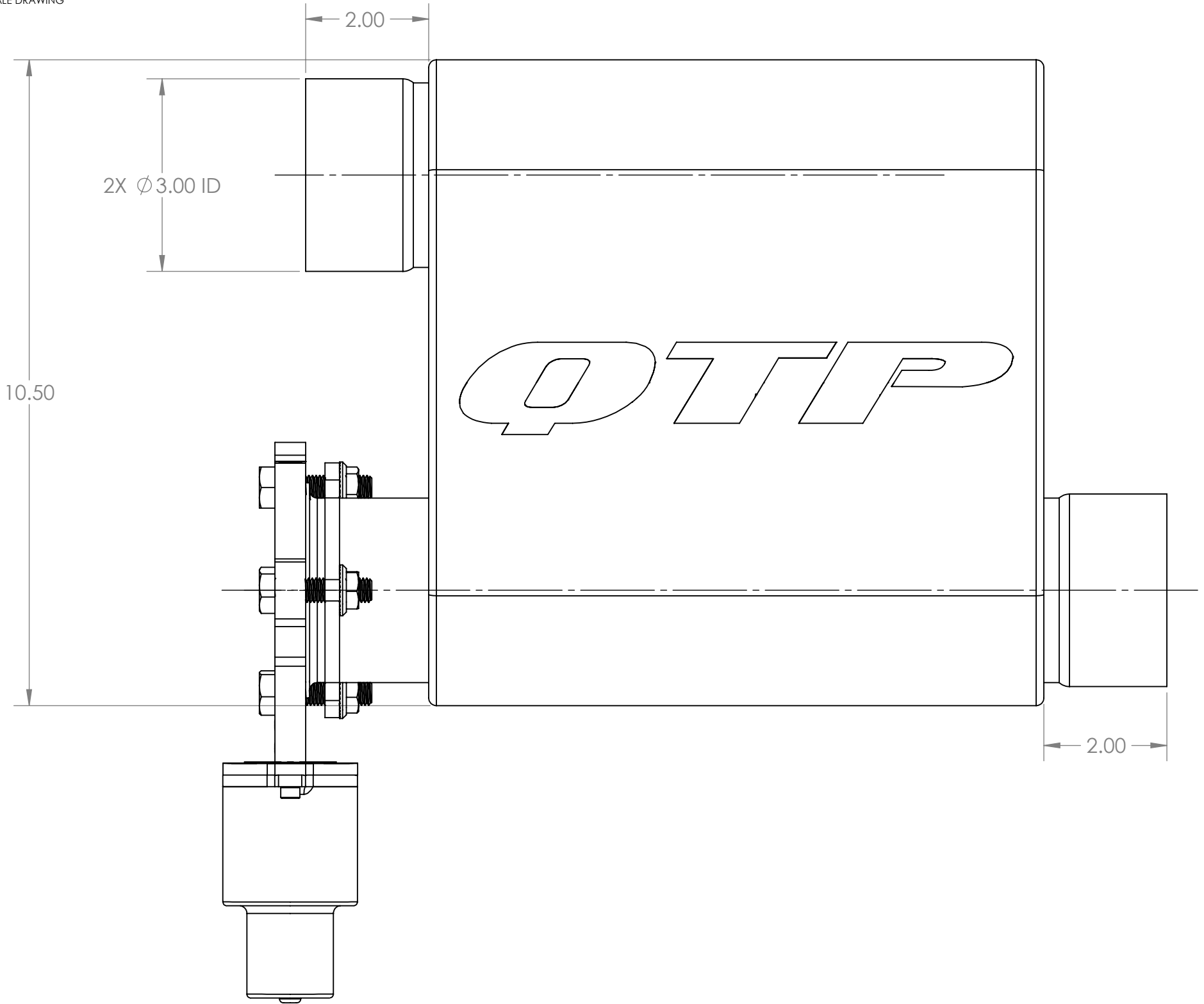
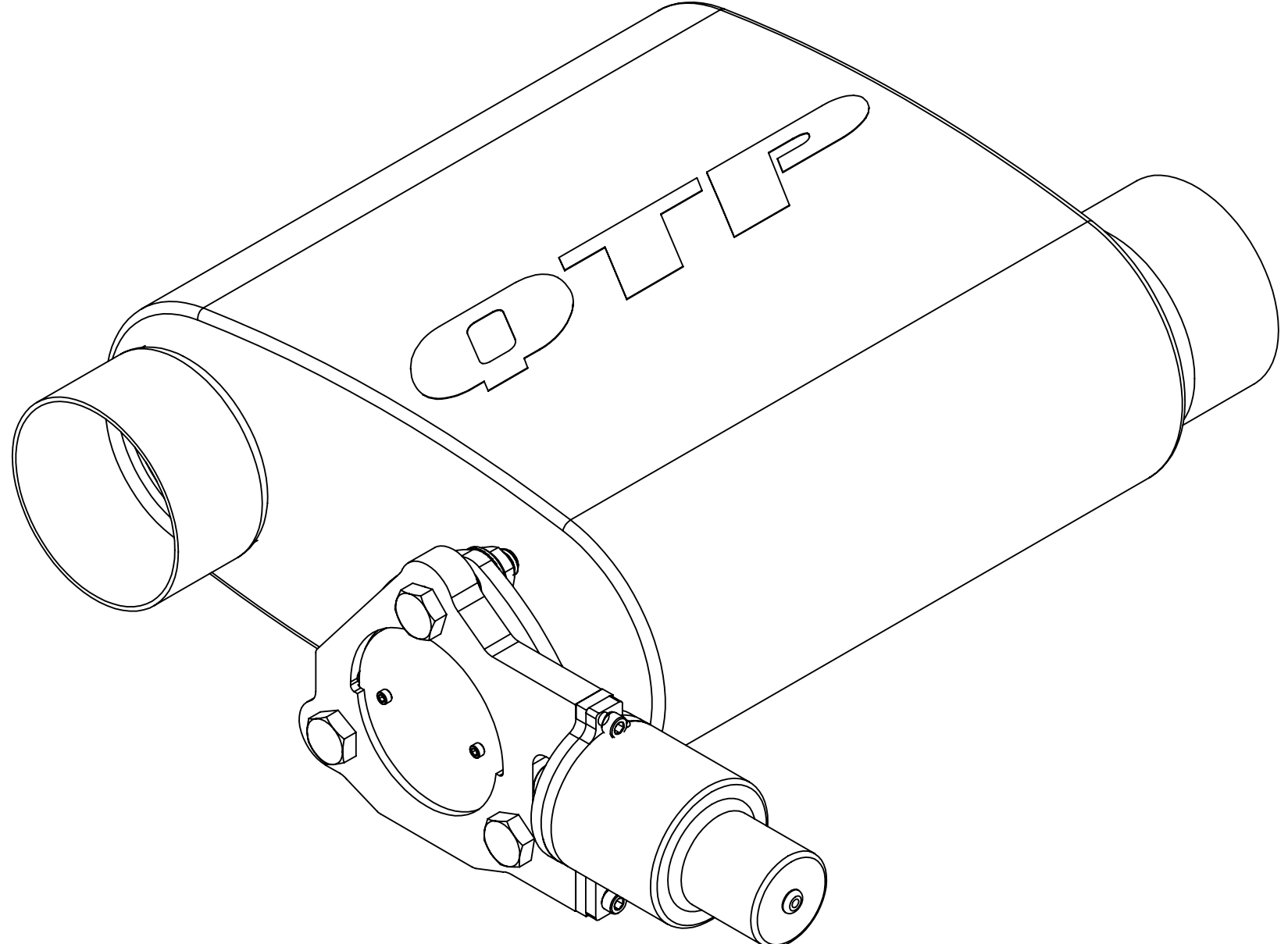


DO NOT SCALE DRAWING



		77 4TH AVE HAWTHORNE NJ 07506 973-513-9955	
UNLESS OTHERWISE SPECIFIED:			
INTERPRET WELDING SYMBOLS PER AWS A2.4:2007		INTERPRET DIMENSIONS & TOLERANCES PER ASME Y14.5M-1994	
INTERPRET SURFACE TEXTURE SYMBOLS PER ASME Y14.36-1996		FILLETS R.002/R.020 BREAK EDGES .002/.020 RADIUS OR CHAMFER GENERAL FINISH 63 Rq MAX REMOVE ALL BURRS	
3RD ANGLE	UNITS: INCHES	TWO PLACES ± .01 THREE PLACES ± .005 ANGULAR ± .5	
MATERIAL	THIS DRAWING AND THE CONTENTS HEREIN ARE CONFIDENTIAL AND THE SOLE PROPERTY OF QUICK TIME PERFORMANCE. REPRODUCTION OF THIS DRAWING OR CONSTRUCTION OF ANY PARTS WITHIN THIS DRAWING ARE FORBIDDEN WITHOUT PRIOR WRITTEN CONSENT.		
FINISH	DRAWN BY MP	DATE 8/16/18	CHECKED BY DATE
COMMENTS	TITLE: 3.0" SHORT CASE SCREAMER		
WEIGHT:	SIZE C	DWG. NO. 13302_WEB	REV
SHEET 1 OF 1	SCALE: 1:2		

POSSIBLE VALVE POSITIONS