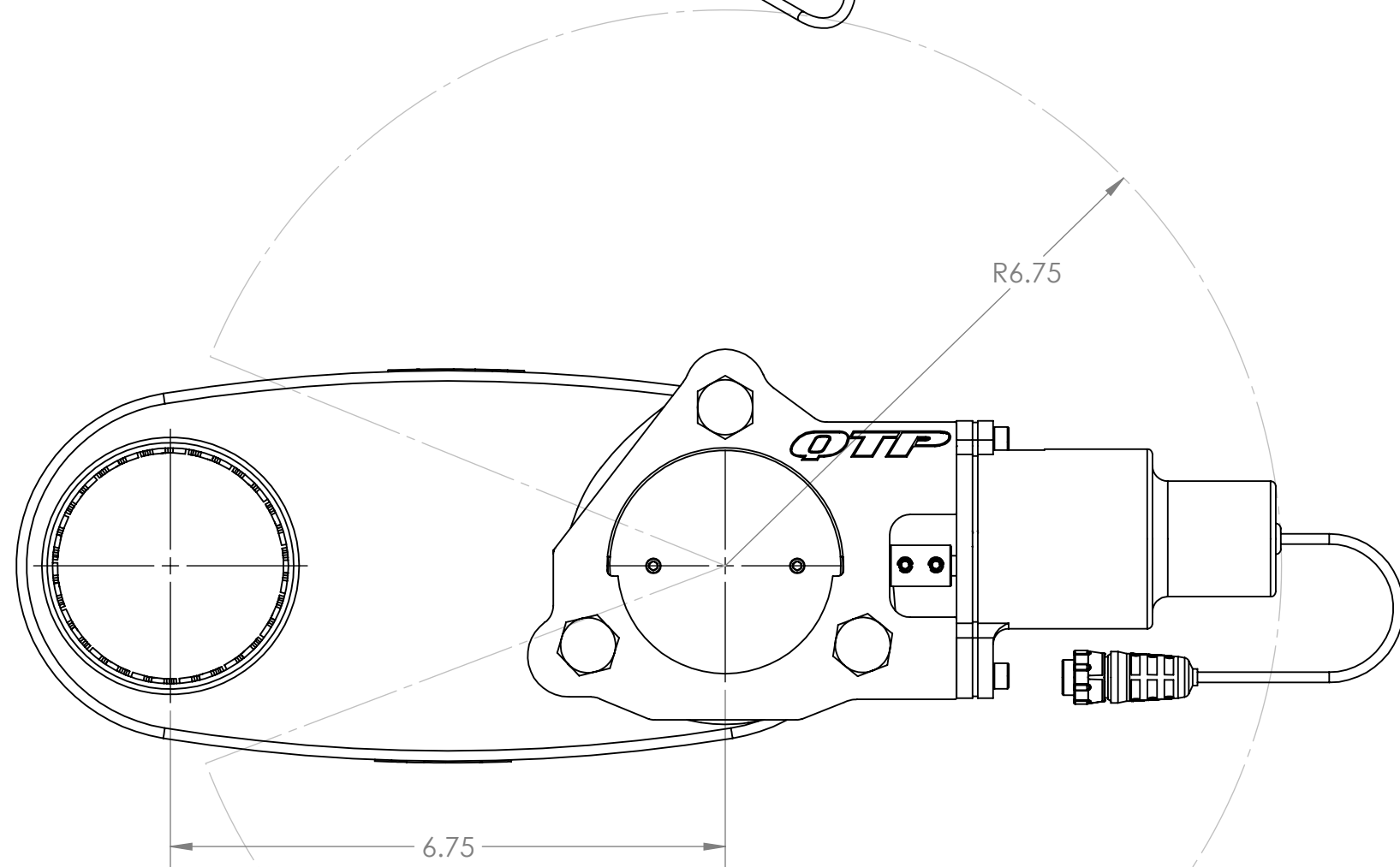
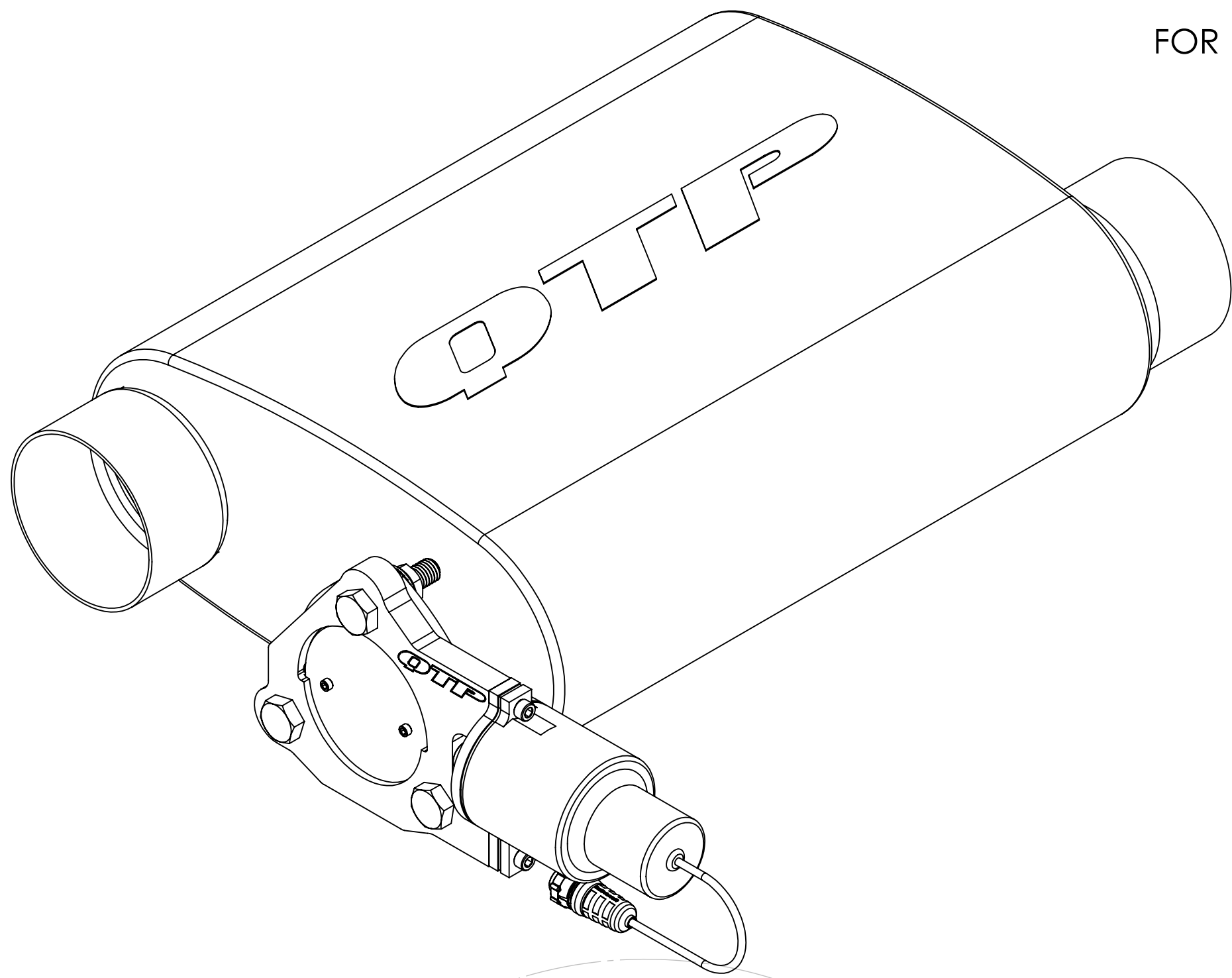
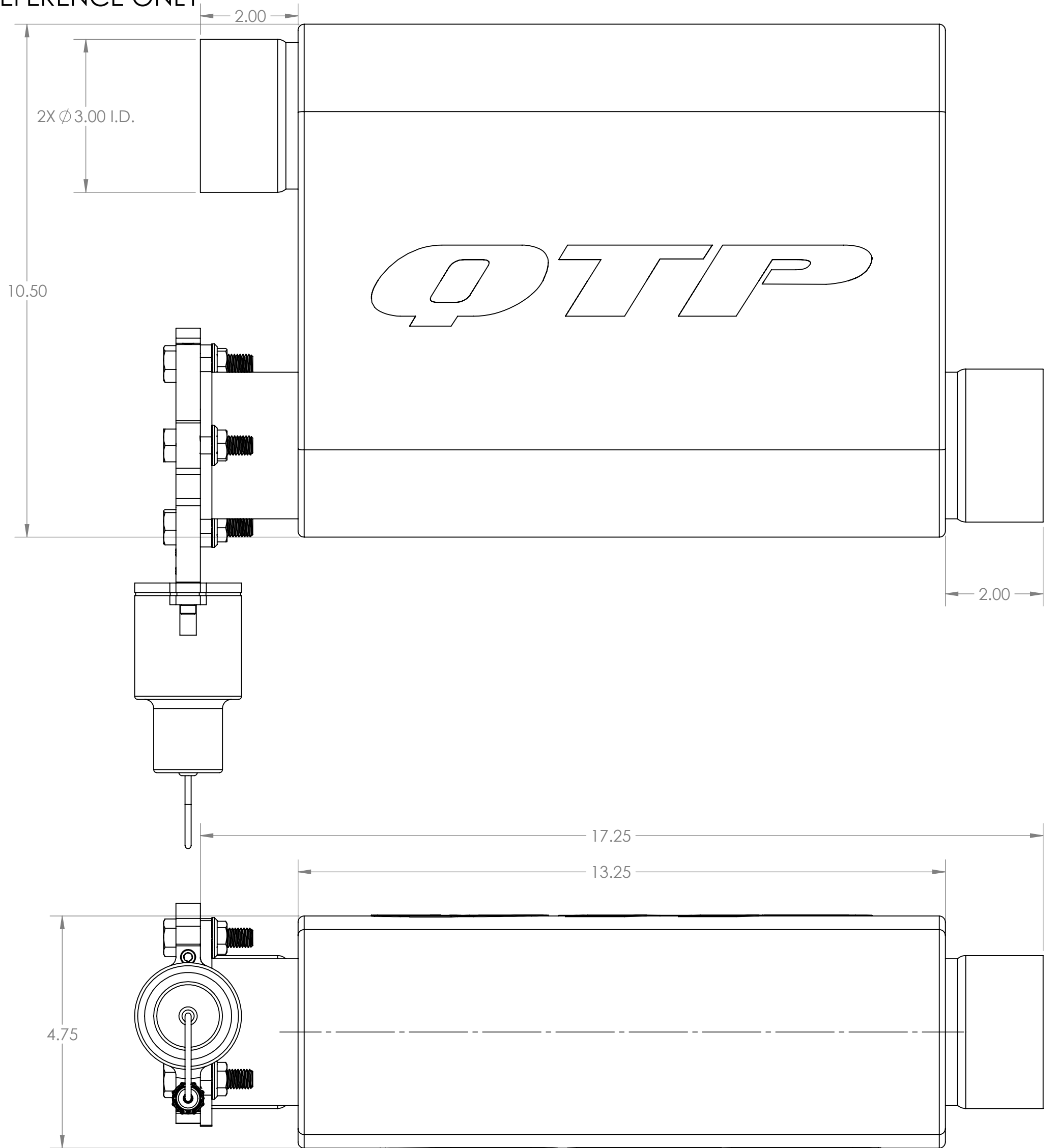


DO NOT SCALE DRAWING  
FOR REFERENCE ONLY



POSSIBLE VALVE POSITIONS



UNLESS OTHERWISE SPECIFIED:			
INTERPRET WELDING SYMBOLS PER AWS A2.4:2007		INTERPRET DIMENSIONS & TOLERANCES PER ASME Y14.5M-1994	
INTERPRET SURFACE TEXTURE SYMBOLS PER ASME Y14.36-1996		FILLETS R.002/R.020 BREAK EDGES .002/.020 RADIUS OR CHAMFER GENERAL FINISH 63 Rq MAX REMOVE ALL BURRS	
3RD ANGLE	UNITS: INCHES	TWO PLACES ± .02 THREE PLACES ± .01 ANGULAR ± 1	
MATERIAL	THIS DRAWING AND THE CONTENTS HEREIN ARE CONFIDENTIAL AND THE SOLE PROPERTY OF QUICK TIME PERFORMANCE. REPRODUCTION OF THIS DRAWING OR CONSTRUCTION OF ANY PARTS WITHIN THIS DRAWING ARE FORBIDDEN WITHOUT PRIOR WRITTEN CONSENT.		
FINISH	DRAWN BY MP	DATE	CHECKED BY DATE
COMMENTS	TITLE: 3.0" SCREAMER MUFFLER REVERSE		
WEIGHT:	SIZE C	DWG. NO. 13301_PDS	REV
SHEET 1 OF 1	SCALE: 1:2		