

Installation Instructions

PART# 530011

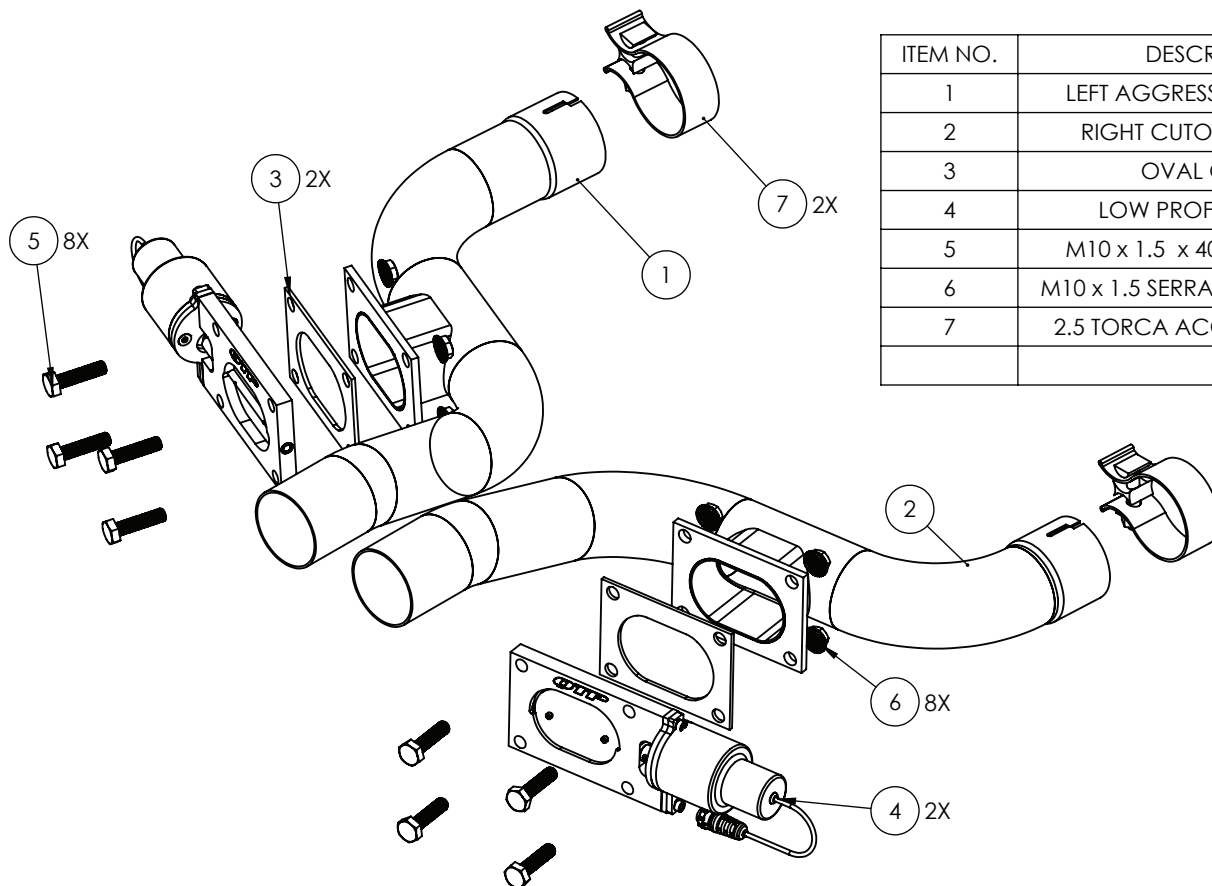
2011 - 2023 Dodge Challenger, Charger, Chrysler 300 5.7L

Aggressor Cutout Pipes



Made in the USA

Caution! Never work on a hot exhaust system. Burns or other serious injuries can result. Always allow the exhaust system to cool before removal. Always consult vehicle manual for proper lifting and support guidelines. Always wear approved safety glasses when working. Serious injury or death can result if safety precautions are not followed.



ITEM NO.	DESCRIPTION	QTY.
1	LEFT AGGRESSOR ASSEMBLY	1
2	RIGHT CUTOUT ASSEMBLY	1
3	OVAL GASKET	2
4	LOW PROFILE CUTOUT	2
5	M10 x 1.5 x 40MM HEX BOLT	8
6	M10 x 1.5 SERRATED FLANGE NUT	8
7	2.5 TORCA ACCUSEAL CLAMP	2

Removal of Factory Front Pipes:

Step 1: Raise and support Vehicle. Once lifted support the center of the factory x-pipe. (Image A).

Step 2: Starting with the left, visually line the new aggressor pipe against the factory front pipe. Square the end of the new pipe with the end of the expanded section of the factory x-pipe. Using a marker, mark the end of this tube on the factory tube. (Image B + C)

Step 3: Measure and mark a new line 1 3/4" back towards the REAR of the vehicle from the first mark. (Image D)

Step 4: Using a sawzall, cut on the rearmost mark. Take time to ensure the cut is straight. Once cut loosen the factory band clamps on the x-pipe and remove the cut sections. Deburr the cut with a file. (Image E)

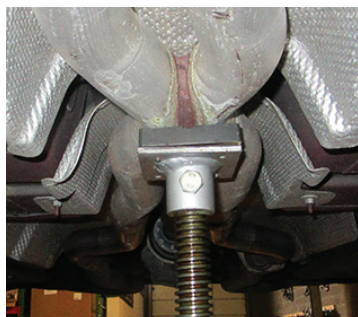


Image A



Image B



Image C



Image D

Installing The Aggressor Pipes

Step 5: Locate, unbolt, and unhook the factory exhaust hangers located just in front of the rear axle. (Image F)

Step 6: Slide the aggressor pipes into the the factory x pipe. Place an accuseal clamp onto each cut end of the factory cat pipes. Push back on the aggressor pipes to slide the exhaust towards the rear of the vehicle. Once there is enough clearance, rotate the aggressor pipes up and slide them over the factory cat pipes. (Images G and H)

Step 7: Reinstall the hangers that were unhooked in step 5. Adjust the exhaust system back to original location and tighten all clamps.

Step 9: Install the exhaust cutouts using the supplied gaskets and bolts. Once wired cycle the valves and ensure the butterfly plate does not hit the flange or turndowns (if installed).



Image E



Image F



Image G



Image H

Wiring the cutouts:

Installing the Toggle Switch

- Make sure that the vehicle battery has been disconnected.
- The switch should be located in a place that is easy to access such as a center console, kick panel, etc.
- Connect the RED wire to a 12 volt source.
- Connect the BLACK wire to a good ground.
- Drill a 1/2" hole where you wish to mount the switch.
- Remove the first lock ring from the shaft of the switch.
- Install switch in the hole you just drilled.
- Slide the lock ring over the switch and tighten ring so that there is no play in switch.

Routing the Wire Harness

- Make sure that you have the wire oriented so that the connectors mate. They are different, so make sure you pull the proper end into the vehicle.
- Route the wire up through the underside of the car. *Be careful to ensure that that the exhaust pipes or drive shaft do not interfere with the cable.
- Route the cables into the car. You can often open up a factory drain plug in the floor pan and snake the wire through.
- For manual transmission cars, you can also come up through the transmission shifter area. Remove the boot/seal of the transmission shifter.
- Plug the cable into the toggle switch, on the connector near the motor, align and press them together and then turn the coupling ring until it locks.

Maintenance

- Check & re-torque ALL clamps after 50 miles miles of your new install.
- We recommend lubricating the butterfly plate body and shaft using a quality lubricant such as "Liquid Wrench"(tm) from Gunk. This will help prevent Carbon build up naturally generated by the exhaust system and keep the butterfly sealing properly. This should be done on a monthly basis.
- For harsher climates, you should remove the cutouts and store them. Using the supplied block off plates will insure operation while cutouts are removed.
- Check screws every now and then to make sure they are tight. If not reapply a red thread locker and reinstall.

Note: After initial startup a small trace of smoke may be visible from the exhaust, do not be concerned. This is from residual oils left in the tube from the manufacturing process and will disipate quickly.

Quick Time Performance recommends professional installation on all of our products.

Notice of Disclaimer and Liability

The Federal Government, each of the fifty states, local municipalities, towns and counties regulate emissions production, noise levels and safety standards. Quick Time Performance Inc make no warranties of merchantability, of fitness for a particular purpose, or that its products are approved for general use, or that its products comply with laws, regulations or ordinances in the states where they may be sold to the ultimate purchaser, the consumer. Unless stated otherwise on our website, instruction sheet or price list, all risk to the conformity of any of the products offered by Quick Time Performance. Inc. or its affiliates in any such state and as to repair should the product prove defective or non-conforming, is on the retail purchaser, the buyer, the ultimate consumer of such product and it is not upon the seller, distributor or manufacturer. In this connection, the retail purchaser, the buyer, the ultimate consumer assumes the burden of the entire cost of any and all necessary service, alterations or repair. The foregoing statement LIMITS THE LIABILITY OF QUICK TIME PERFORMANCE.COM INC. AND ITS AFFILIATES. QUICK TIME PERFORMANCE, INC. AND ITS AFFILIATES ASKS THAT YOU REMEMBER THAT RACING VEHICLES NEVER BE DRIVEN ON A HIGHWAY OR STREETS ANY WHERE IN THE UNITED STATES. It is illegal to remove or render inoperative any emission control device on any vehicle. Our products are intended for racing vehicles, which have never been intended to be driven on any highway or any street in the United States. In California Vehicle code sections 27156 and 38391 prohibit the advertising, offering for sale, or installation of any device, which modifies a vehicles emission control system unless exempted. Quick Time Performance.Com Inc. and its affiliates have not received an exemption from these code sections and are not legal for sale or use in California on vehicles originally equipped with a catalytic converter. Our products are for racing vehicles, which are never intended for highway or street use. Our products are subject to price change without notice. We reserve the right to reject and cancel any order.

Warranty

Quick Time Performance Inc. provides a limited warranty against defects in materials and workmanship for a period of 90 days from date of sale to the original purchaser. Upon inspection and verification of warranty, Quick Time Performance will, at its option, repair or replace products, which prove to be defective.

Exclusions & Limitations

- Any product, which has been subjected to abuse, accident, alteration, neglected maintenance or improper installation, renders the product warranty null and void.
- Conditions resulting from acts of nature, weather, criminal activity or accidents are subject to adjustment under the product warranty.
- Shipping and handling charges are the responsibility of the end user and are not covered by warranty.
- Any and all labor charges that may be incurred for the removal and or replacement of any covered component or the purpose of affecting this warranty are the sole responsibility of the consumer.
- Leakage

Return Policy

Quick Time Performance Inc. will not accept shipments without prior authorization. In the event it is necessary to return an unused product within 30 days, a return of goods authorization must be obtained from Quick Time Performance Inc. A letter of explanation should be included in the package as well as an invoice or receipt.

Questions

Quick Time Performance Technical Team is available Monday through Friday (9am-4pm eastern time) at (864) 913-1999 or via email at: sales@quicktimeperformance.com