

Installation Instructions

PART# 740117

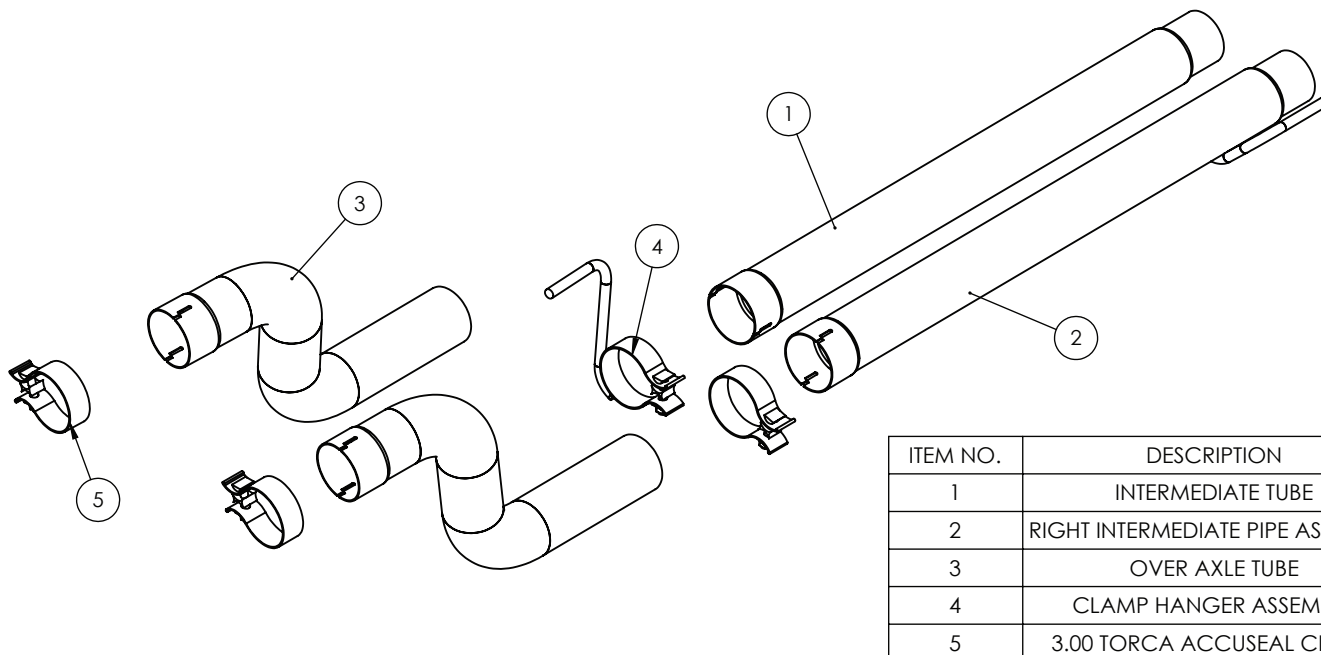
2017 - 2021 Ford F150 Raptor EC/CC

Eliminator Exhaust System

QTP
QUICK TIME PERFORMANCE

Made in the USA

Caution! Never work on a hot exhaust system. Burns or other serious injuries can result. Always allow the exhaust system to cool before removal. Always consult vehicle manual for proper lifting and support guidelines. Always wear approved safety glasses when working. Serious injury or death can result if safety precautions are not followed.



ITEM NO.	DESCRIPTION	QTY.
1	INTERMEDIATE TUBE	1
2	RIGHT INTERMEDIATE PIPE ASSEMBLY	1
3	OVER AXLE TUBE	2
4	CLAMP HANGER ASSEMBLY	1
5	3.00 TORCA ACCUSEAL CLAMP	3

Removal of Factory Equipment:

- Step 1:** Raise and support Vehicle. At the rear of the factory resonator pipe, loosen the factory accuseal clamp and the factory coupler clamp. Also loosen the two accuseal clamps where the over axle tubes meet the muffler above the rear axle.
- Step 2:** Using a pry tool or hanger separator tool, remove the factory hangers from there rubber isolators. Use a spray lubricant to make hanger removal easier.
- Step 3:** Separate the stock muffler assembly from the stock exit pipes. With everything undone remove the factory muffler assembly from the vehicle. Save the factory coupler clamp as it will be reused.

Installation of New Exhaust

- Step 4:** Slide the factory coupler clamp onto th reduced end of the left inermediate tube, place an accuseal clamp on the other end and place it onto the driver side of the factory resonator pipe. Do not tighten any clamps at this time.
- Step 5:** Slide the reduced end of the right intermediate pipe into the passenger side of the factory resonator. Slide the hanger into the rubber isolator. Do not tighten any clamps at this time.
- Step 6:** Slide the clamp hanger assembly on the end of the driver side intermediate tube, slide the hanger into the factory rubber isoaltor.
- Step 7:** Slide an accuseal clamp onto the expanded end of each over axle tube then insert an over axle tube into each intermediate tube.
- Step 8:** With the over axle tubes installed, slide the factory exit pipes into the over axle tubes. Align the exhaust tips to the rear bumper Then starting at the front of the vehicle and working towards the back tighten all clamps.

Note: After initial startup a small trace of smoke may be visable from the exhaust, do not be concerend. This is from residual oils left in the tube from the manufacturing process and will disipate quickly. Check & re-torque ALL clamps after 50 miles of your new install.

Quick Time Performance recommends professional installation on all of our products.

R1-022020

Notice of Disclaimer and Liability

The Federal Government, each of the fifty states, local municipalities, towns and counties regulate emissions production, noise levels and safety standards. Quick Time Performance Inc make no warranties of merchantability, of fitness for a particular purpose, or that its products are approved for general use, or that its products comply with laws, regulations or ordinances in the states where they may be sold to the ultimate purchaser, the consumer. Unless stated otherwise on our website, instruction sheet or price list, all risk to the conformity of any of the products offered by Quick Time Performance. Inc. or its affiliates in any such state and as to repair should the product prove defective or non-conforming, is on the retail purchaser, the buyer, the ultimate consumer of such product and it is not upon the seller, distributor or manufacturer. In this connection, the retail purchaser, the buyer, the ultimate consumer assumes the burden of the entire cost of any and all necessary service, alterations or repair. The foregoing statement LIMITS THE LIABILITY OF QUICK TIME PERFORMANCE.COM INC. AND ITS AFFILIATES. QUICK TIME PERFORMANCE, INC. AND ITS AFFILIATES ASKS THAT YOU REMEMBER THAT RACING VEHICLES NEVER BE DRIVEN ON A HIGHWAY OR STREETS ANY WHERE IN THE UNITED STATES. It is illegal to remove or render inoperative any emission control device on any vehicle. Our products are intended for racing vehicles, which have never been intended to be driven on any highway or any street in the United States. In California Vehicle code sections 27156 and 38391 prohibit the advertising, offering for sale, or installation of any device, which modifies a vehicles emission control system unless exempted. Quick Time Performance.Com Inc. and its affiliates have not received an exemption from these code sections and are not legal for sale or use in California on vehicles originally equipped with a catalytic converter. Our products are for racing vehicles, which are never intended for highway or street use. Our products are subject to price change without notice. We reserve the right to reject and cancel any order.

Warranty

Quick Time Performance Inc. provides a limited warranty against defects in materials and workmanship for a period of 90 days from date of sale to the original purchaser. Upon inspection and verification of warranty, Quick Time Performance will, at its option, repair or replace products, which prove to be defective.

Exclusions & Limitations

- Any product, which has been subjected to abuse, accident, alteration, neglected maintenance or improper installation, renders the product warranty null and void.
- Conditions resulting from acts of nature, weather, criminal activity or accidents are subject to adjustment under the product warranty.
- Shipping and handling charges are the responsibility of the end user and are not covered by warranty.
- Any and all labor charges that may be incurred for the removal and or replacement of any covered component or the purpose of affecting this warranty are the sole responsibility of the consumer.
- Leakage

Return Policy

Quick Time Performance Inc. will not accept shipments without prior authorization. In the event it is necessary to return an unused product within 30 days, a return of goods authorization must be obtained from Quick Time Performance Inc. A letter of explanation should be included in the package as well as an invoice or receipt.

Questions

Quick Time Performance Technical Team is available Monday through Friday (9am-4pm eastern time) at (864) 913-1999 or via email at: sales@quicktimeperformance.com